

PARTS MANUAL

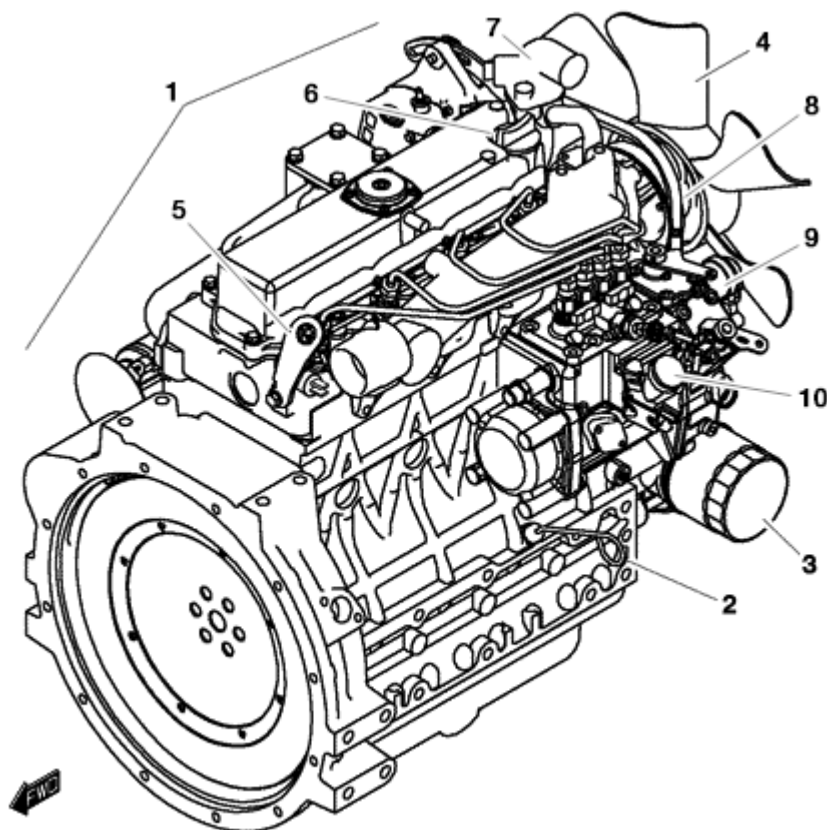
00. MAINTENANCE FILTERS KIT



| FIGURE | REFERENCE | DENOMINATION | AMOUNT |
|--------|--------------|------------------------------|--------|
| 001 | KF.65300RE00 | D 300 AM/AMG KIT FILTERS | 1 |
| 001.1 | MN000027 | OIL FILTER, CARTRIDGE | 1 |
| 001.2 | DN000002 | FUEL FILTER CARTRIDGE (400h) | 1 |
| 001.3 | MN000017 | PRE-FILTER, FUEL (200h+50h) | 1 |
| 001.4 | MN000031 | AIR FILTER ELEMENT | 1 |
| 001.5 | 43.01214.00 | FILTER ELEMENT 60X80X318 A | 1 |
| 001.6 | 58.01810.00 | HIDRAULIC CATRIDGE INTANK | 1 |

02. ENGINE

KUBOTA ENGINE (PART 1)

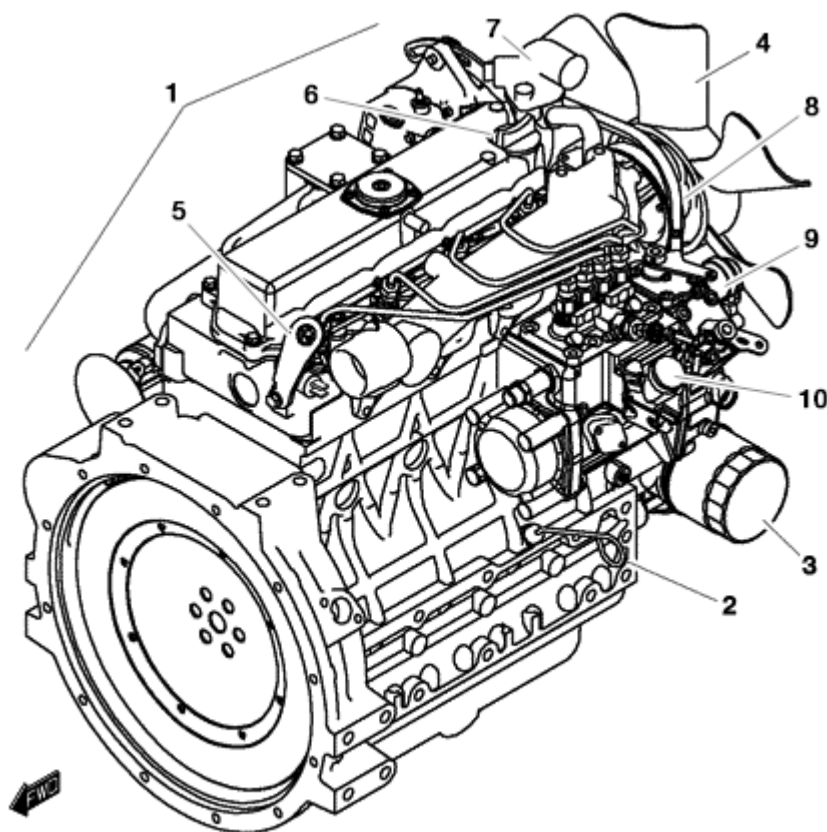


| FIGURE | REFERENCE | DENOMINATION | AMOUNT |
|--------|--------------|-------------------------------------|--------|
| 001 | 65.02140.00 | KUBOTA DIESEL ENGINE 32,7KW V2203-M | 1 |
| 002 | KU1G62236413 | DIPSTICK | 1 |
| 003 | MN000027 | OIL FILTER, CARTRIDGE | 1 |
| 004 | KU1580974112 | FAN | 1 |
| 005 | KU1949883041 | SWITCH, TEMPERATURE | 1 |
| 006 | KU1642733140 | PLUG, OIL FILLER | 1 |
| 007 | KU1A02173012 | THERMOSTAT | 1 |
| 008 | KU1735174253 | PULLEY, FAN | 1 |
| 009 | KU1A02160014 | SOLENOID STOP | 1 |
| 010 | KU1A02133111 | OIL FILLER FLANGE | 1 |

02. ENGINE

KUBOTA ENGINE (PART 1)

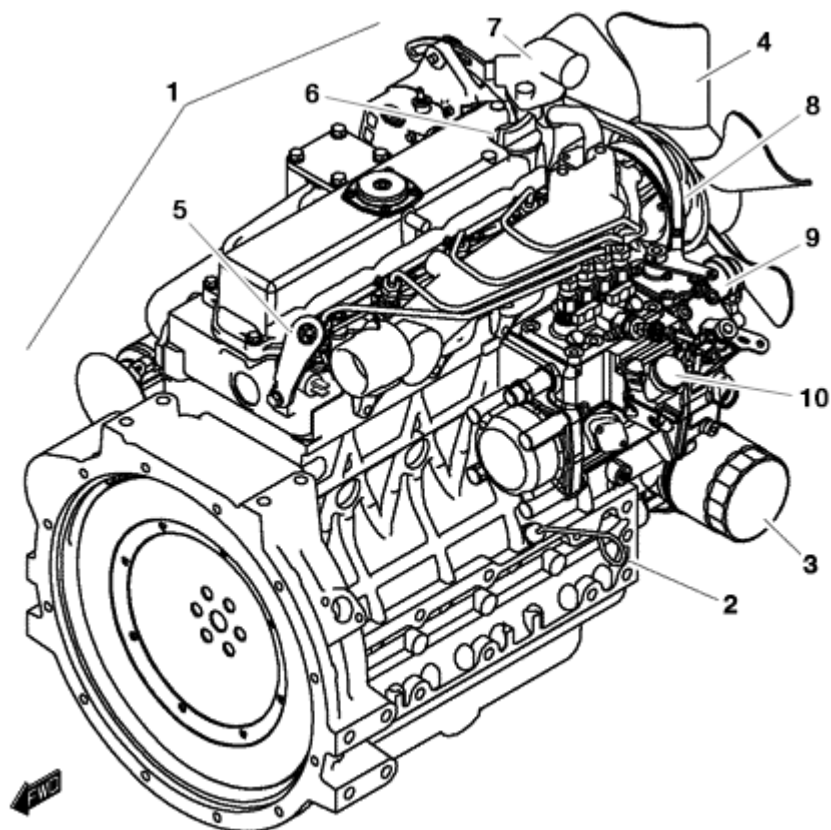
CHASSIS: 49071



| FIGURE | REFERENCE | DENOMINATION | AMOUNT |
|--------|--------------|-------------------------------------|--------|
| 001 | 65.02140.01 | KUBOTA DIESEL ENGINE 32,7KW V2203-M | 1 |
| 002 | KU1G62236413 | DIPSTICK | 1 |
| 003 | MN000027 | OIL FILTER, CARTRIDGE | 1 |
| 004 | KU1580974112 | FAN | 1 |
| 005 | KU1949883041 | SWITCH, TEMPERATURE | 1 |
| 006 | KU1642733140 | PLUG, OIL FILLER | 1 |
| 007 | KU1A02173012 | THERMOSTAT | 1 |
| 008 | KU1735174253 | PULLEY, FAN | 1 |
| 009 | KU1A02160014 | SOLENOID STOP | 1 |
| 010 | KU1A02133111 | OIL FILLER FLANGE | 1 |

02. ENGINE

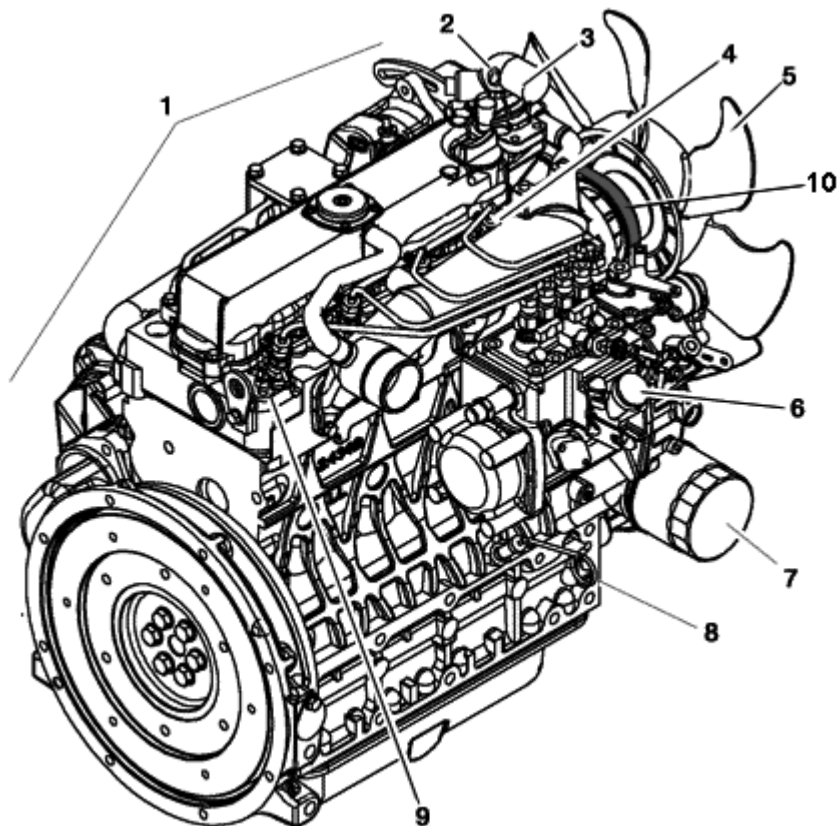
KUBOTA ENGINE (PART 1)



| FIGURE | REFERENCE | DENOMINATION | AMOUNT |
|--------|--------------|-----------------------|--------|
| 001 | 65.02150.00 | ENGINE KUBOTA V2203M | 1 |
| 002 | KU1G62236413 | DIPSTICK | 1 |
| 003 | MN000027 | OIL FILTER, CARTRIDGE | 1 |
| 004 | KU1580974112 | FAN | 1 |
| 005 | KU1949883041 | SWITCH, TEMPERATURE | 1 |
| 006 | KU1642733140 | PLUG, OIL FILLER | 1 |
| 007 | KU1A02173012 | THERMOSTAT | 1 |
| 008 | KU1735174253 | PULLEY, FAN | 1 |
| 009 | KU1A02160014 | SOLENOID STOP | 1 |
| 010 | KU1A02133111 | OIL FILLER FLANGE | 1 |

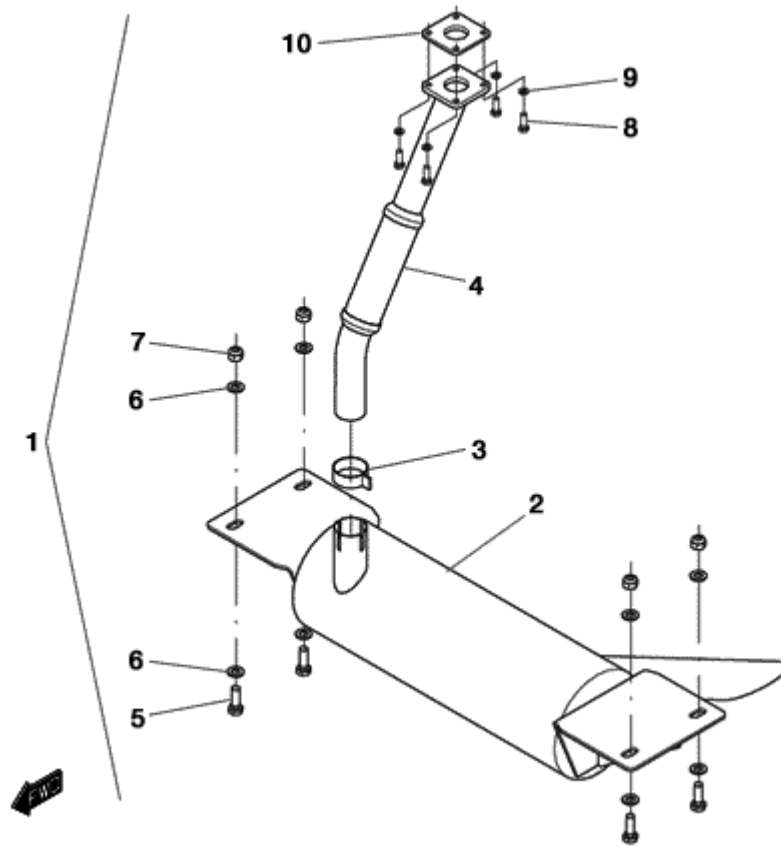
02. ENGINE

KUBOTA ENGINE (PART 2)



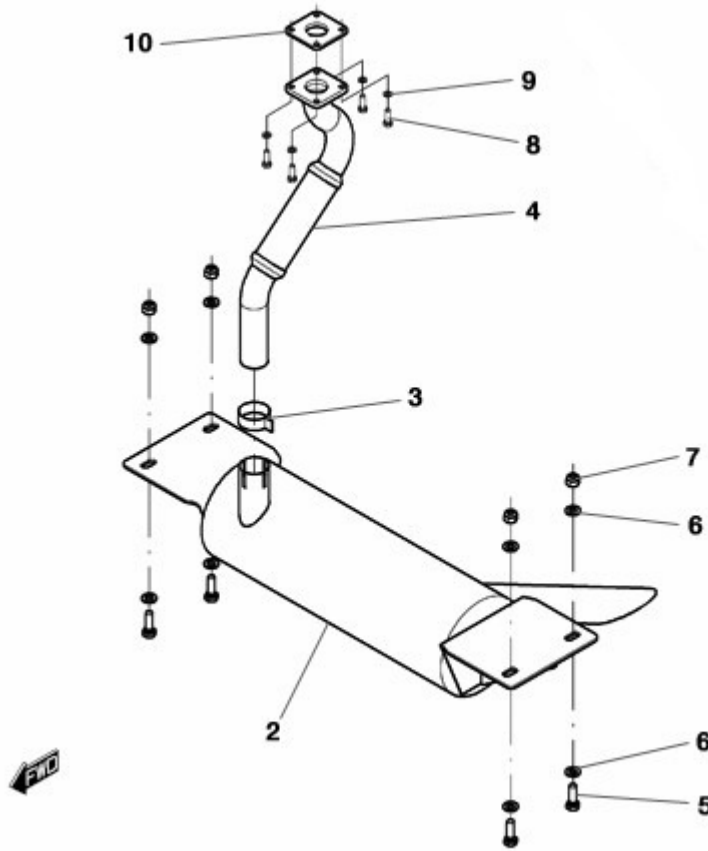
| FIGURE | REFERENCE | DENOMINATION | AMOUNT |
|--------|--------------|----------------------|--------|
| 001 | KU1G95397011 | V-BELT | 1 |
| 002 | KU1640464012 | ALTERNATOR 50A | 1 |
| 003 | KU1738163011 | STARTER | 1 |
| 004 | KU1907765513 | GLOW PLUG | 4 |
| 005 | KU1584139011 | SWITCH, OIL PRESSURE | 1 |
| 006 | KU1735174253 | PULLEY, FAN | 1 |
| 007 | KU1A08574281 | PULLEY, FAN DRIVE | 1 |
| 008 | KU1595133751 | DRAIN PLUG | 1 |
| 009 | KU1543401613 | OIL PAN | 1 |
| 010 | KU1K32173033 | WATER PUMP | 1 |

02. ENGINE EXHAUST PIPE



| FIGURE | REFERENCE | DENOMINATION | AMOUNT |
|--------|--------------|---------------------|--------|
| 001 | 65.02216.00 | MUFFLER | 1 |
| 002 | 65.02220.00 | MUFFLER | 1 |
| 003 | 935.51055.66 | CLAMP (CH 250) | 1 |
| 004 | 65.02218.00 | TUBE | 1 |
| 005 | 604.12035.86 | SCREW DIN931 M12x35 | 4 |
| 006 | 101.12000.66 | WASHER DIN125 D12 | 8 |
| 007 | 711.12000.86 | NUT DIN982 M12 C8 | 4 |
| 008 | 603.08020.86 | SCREW DIN933 M8x20 | 4 |
| 009 | 104.08000.00 | WASHER DIN7980 D8 | 4 |
| 010 | KU1732612231 | O-RING | 1 |

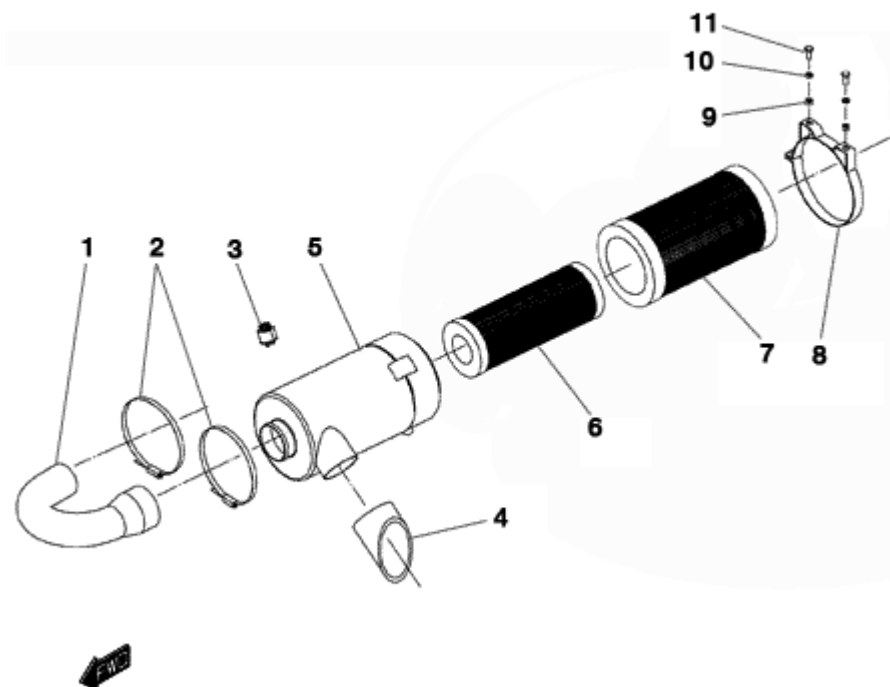
02. ENGINE
EXHAUST PIPE
CHASSIS: 62950



| FIGURE | REFERENCE | DENOMINATION | AMOUNT |
|--------|--------------|----------------------|--------|
| 002 | 63.02151.00 | MUFFLER 1022X228X462 | 1 |
| 003 | 935.51055.66 | CLAMP (CH 250) | 1 |
| 004 | 65.02222.00 | EXHAUST MANIFOLD | 1 |
| 005 | 604.12035.86 | SCREW DIN931 M12x35 | 4 |
| 006 | 101.12000.66 | WASHER DIN125 D12 | 8 |
| 007 | 711.12000.86 | NUT DIN982 M12 C8 | 4 |
| 008 | 603.08020.86 | SCREW DIN933 M8x20 | 4 |
| 009 | 104.08000.00 | WASHER DIN7980 D8 | 4 |
| 010 | KU1732612231 | O-RING | 1 |

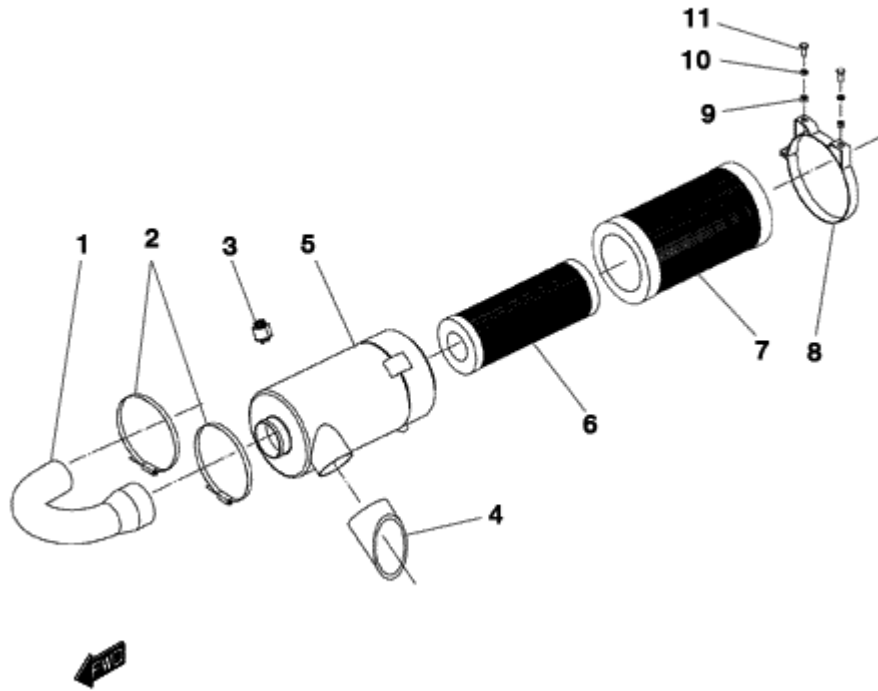
02. ENGINE

AIR FILTER COMP.



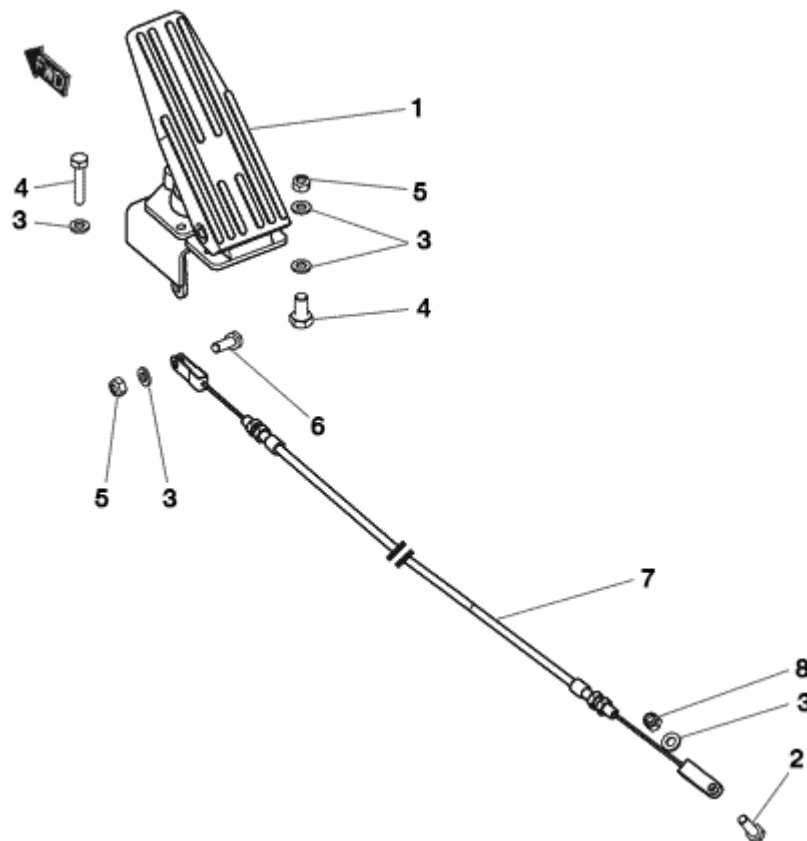
| FIGURE | REFERENCE | DENOMINATION | AMOUNT |
|--------|--------------|----------------------------|--------|
| 001 | 65.02302.00 | RUBBER HOSE B/P 56x76x400 | 1 |
| 002 | 912.70090.66 | CLAMP D70-90 | 2 |
| 003 | 43.50119.00 | AIR FILTER INDICATOR | 1 |
| 005 | 43.01210.00 | AIR FILTER | 1 |
| 006 | 43.01214.00 | FILTER ELEMENT 60X80X318 A | 1 |
| 007 | 43.01213.00 | FILTER ELEMENT 8X140X320 A | 1 |
| 008 | 43.01211.00 | CLAMP | 1 |
| 009 | 711.08000.66 | NUT DIN982 M8 | 2 |
| 010 | 112.08000.66 | WASHER DIN9021 D8 | 2 |
| 011 | 603.08020.86 | SCREW DIN933 M8x20 | 2 |

02. ENGINE
AIR FILTER COMP.
CHASSIS: 50365



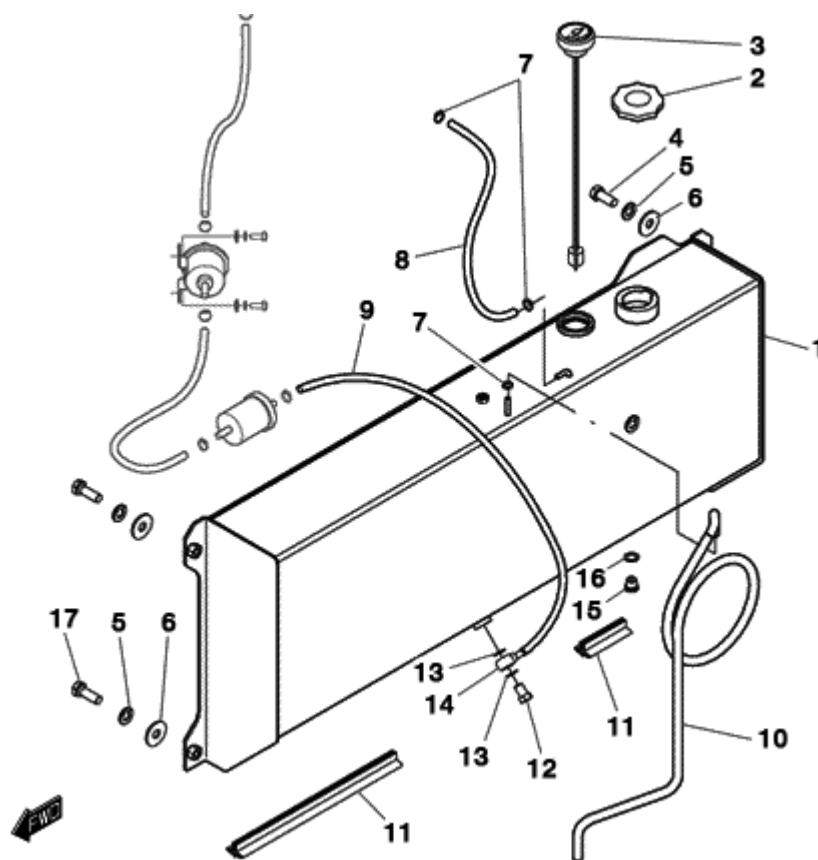
| FIGURE | REFERENCE | DENOMINATION | AMOUNT |
|--------|--------------|----------------------------|--------|
| 001 | 65.02302.00 | RUBBER HOSE B/P 56x76x400 | 1 |
| 002 | 912.70090.66 | CLAMP D70-90 | 2 |
| 003 | 43.50119.00 | AIR FILTER INDICATOR | 1 |
| 004 | 65.02301.01 | RUBBER HOSE B/P 76x151 | 1 |
| 005 | 43.01210.00 | AIR FILTER | 1 |
| 006 | 43.01214.00 | FILTER ELEMENT 60X80X318 A | 1 |
| 007 | 43.01213.00 | FILTER ELEMENT 8X140X320 A | 1 |
| 008 | 43.01211.00 | CLAMP | 1 |
| 009 | 711.08000.66 | NUT DIN982 M8 | 2 |
| 010 | 112.08000.66 | WASHER DIN9021 D8 | 2 |
| 011 | 603.08020.86 | SCREW DIN933 M8x20 | 2 |

02. ENGINE ACCELERATOR PEDAL



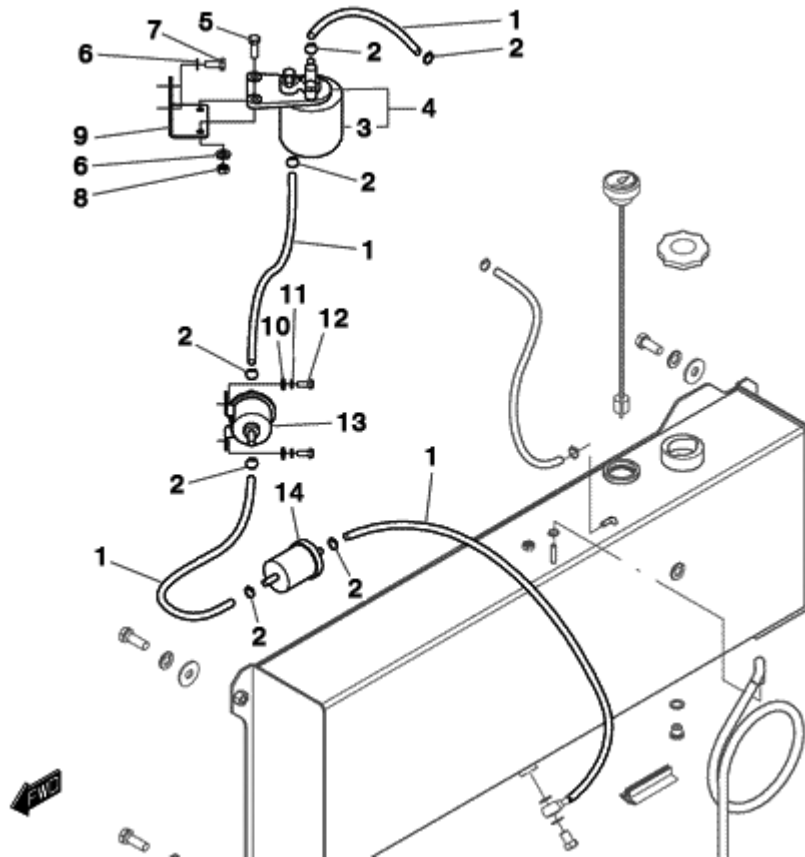
| FIGURE | REFERENCE | DENOMINATION | AMOUNT |
|--------|--------------|--------------------------|--------|
| 001 | 43.70127.00 | ACCEL. PEDAL | 1 |
| 002 | 603.06020.86 | SCREW DIN933 M6x20 | 1 |
| 003 | 101.06000.66 | WASHER DIN125 D6 | 8 |
| 004 | 603.06025.86 | SCREW DIN933 M6x25 | 4 |
| 005 | 720.06000.66 | NUT | 3 |
| 006 | 603.06015.86 | SCREW DIN933 M6x15 | 1 |
| 007 | 65.02411.00 | ACCELERATOR CABLE 2x1600 | 1 |
| 008 | 711.06000.66 | NUT DIN982 M6 | 1 |

02. ENGINE FUEL TANK



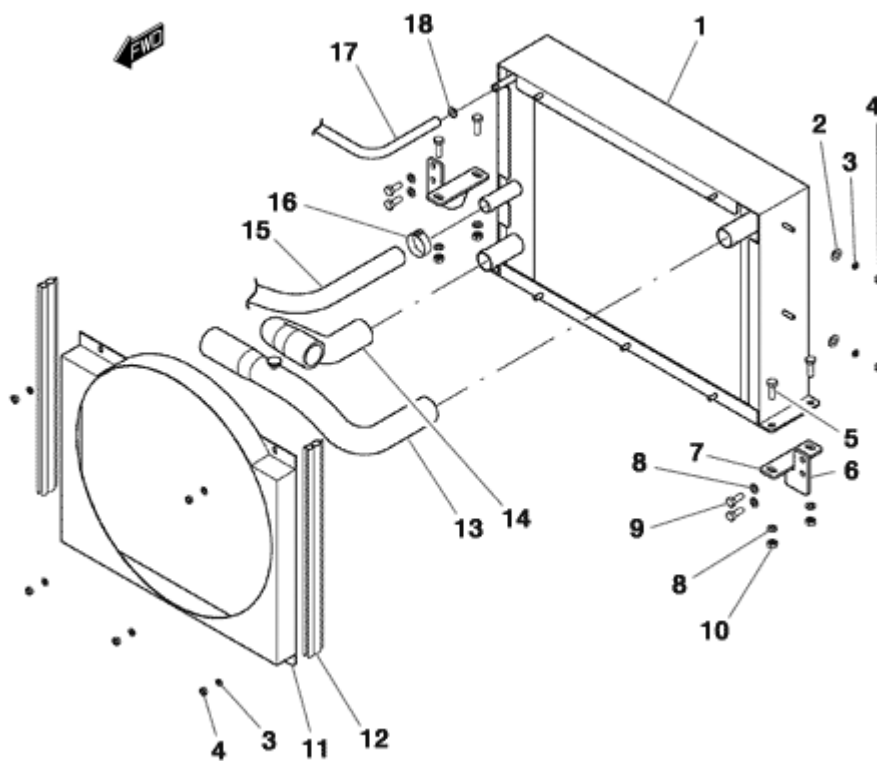
| FIGURE | REFERENCE | DENOMINATION | AMOUNT |
|--------|--------------|---------------------------|--------|
| 001 | 65.02111.00 | FUEL TANK | 1 |
| 002 | 15.01524.00 | TANK CAP | 1 |
| 003 | 65.02412.00 | LEVEL, NEEDLE FUEL | 1 |
| 004 | 604.12030.86 | SCREW DIN931 | 1 |
| 005 | 104.12000.00 | WASHER DIN7980 D12 | 4 |
| 006 | 112.12000.66 | WASHER DIN9021 D 12X36 | 4 |
| 007 | 912.08016.66 | CLAMP DIN3017 | 10 |
| 008 | 469.15009.00 | PLASTIC HOSE 6X9 | 1 |
| 009 | 469.03014.00 | HOSE L/P MAT. 8x14 | 1 |
| 010 | 469.03014.00 | HOSE L/P MAT. 8x14 | 1 |
| 011 | 472.00411.00 | RUBBER PROFILE MAT. | 2 |
| 012 | 52.00110.00 | NIPPLE SCREW SIM. | 1 |
| 013 | 28.00341.00 | METALLIC GASKET BUNA D1/4 | 2 |
| 014 | 45.04106.00 | NIPPLE O/TB | 1 |
| 015 | 10.00921.00 | CAP M14X150 DIN908 | 1 |
| 016 | 107.14000.10 | WASHER AL 14x20x1.5 | 1 |
| 017 | 604.12035.86 | SCREW DIN931 M12x35 | 4 |

02. ENGINE DELIVERY



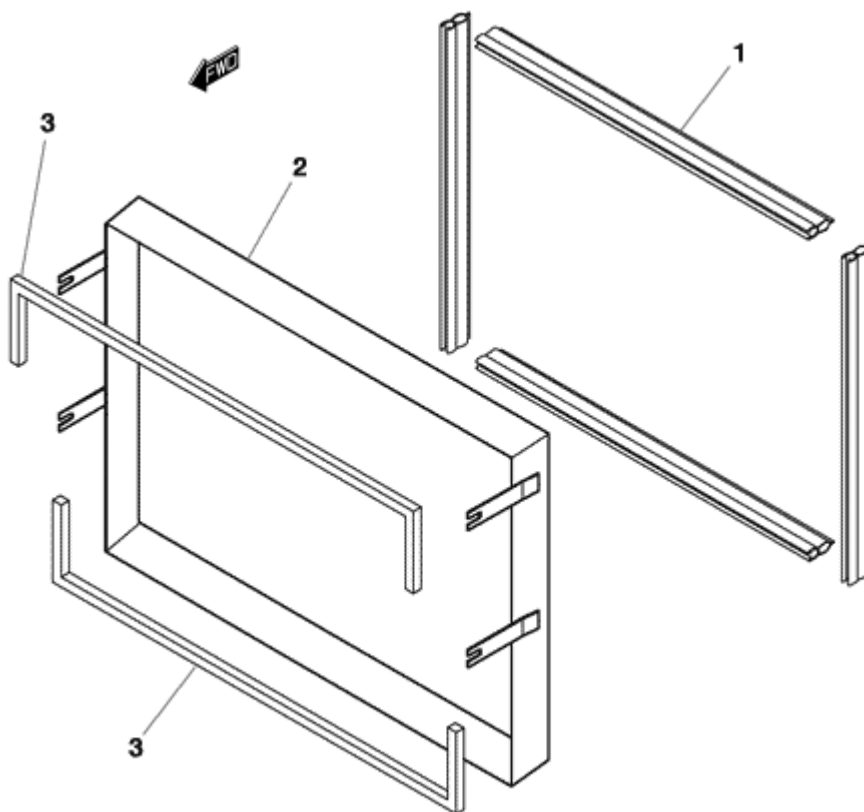
| FIGURE | REFERENCE | DENOMINATION | AMOUNT |
|--------|--------------|------------------------------|--------|
| 001 | 469.03014.00 | HOSE L/P MAT. 8x14 | 1 |
| 002 | 912.08016.66 | CLAMP DIN3017 | 10 |
| 003 | DN000002 | FUEL FILTER CARTRIDGE (400h) | 1 |
| 004 | KU1522443010 | DIESEL FILTER + SUPPORT | 1 |
| 005 | 603.08025.86 | SCREW DIN933 M8x25 | 2 |
| 006 | 104.08000.00 | WASHER DIN7980 D8 | 4 |
| 007 | 603.08020.86 | SCREW DIN933 M8x20 | 2 |
| 008 | 701.08000.66 | NUT DIN934 M8X1,25 | 2 |
| 009 | 65.02112.00 | SUPPORT 70x50x50 | 1 |
| 010 | 112.06000.66 | WASHER DIN9021 D6 | 2 |
| 011 | 104.06000.00 | WASHER DIN7980 D6 | 2 |
| 012 | 603.06015.86 | SCREW DIN933 M6x15 | 2 |
| 013 | KURC60151351 | FUEL ASSY PUMP | 1 |
| 014 | MN000017 | PRE-FILTER, FUEL (200h+50h) | 1 |

02. ENGINE RADIATOR (PART 1)



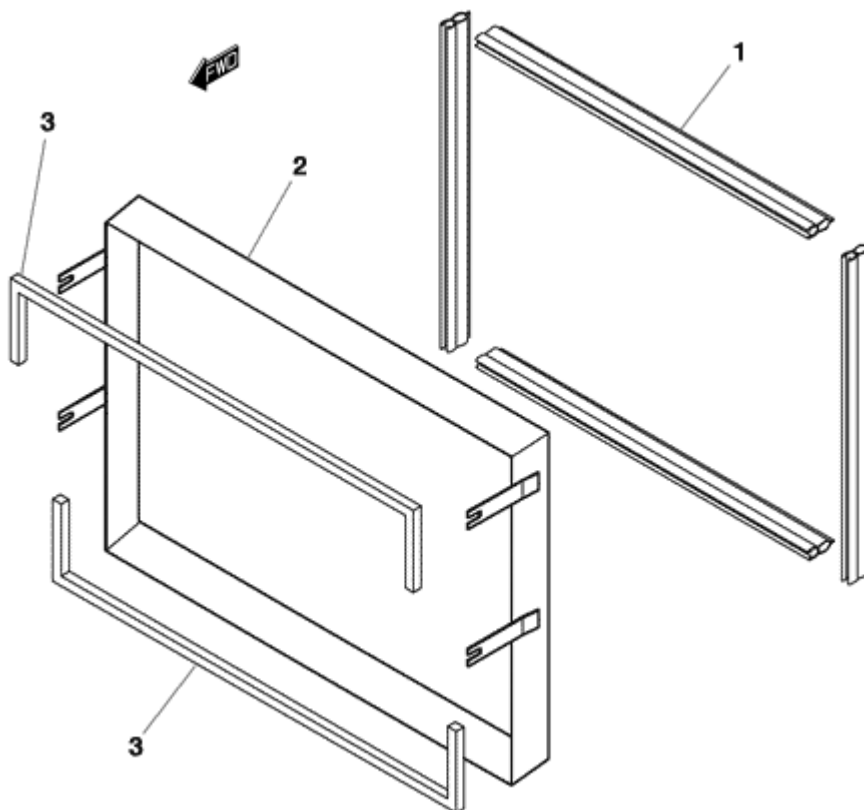
| FIGURE | REFERENCE | DENOMINATION | AMOUNT |
|--------|--------------|---------------------------|--------|
| 001 | 65.02517.00 | RADIATOR PROTECTION | 1 |
| 002 | 101.06000.66 | WASHER DIN125 D6 | 4 |
| 003 | 104.06000.00 | WASHER DIN7980 D6 | 9 |
| 004 | 701.06000.66 | NUT DIN934 M6X1 | 9 |
| 005 | 603.08025.86 | SCREW DIN933 M8x25 | 4 |
| 006 | 65.02514.00 | FIXATION SUPPORT | 1 |
| 007 | 65.02513.00 | FIXATION SUPPORT | 1 |
| 008 | 104.08000.00 | WASHER DIN7980 D8 | 10 |
| 009 | 603.08015.86 | SCREW DIN933 M8x15 | 4 |
| 010 | 701.08000.66 | NUT DIN934 M8X1,25 | 4 |
| 011 | 65.02511.00 | RADIATOR PROTECTION | 1 |
| 012 | 472.00411.00 | RUBBER PROFILE MAT. | 2 |
| 013 | 65.02503.00 | RUBBER HOSE B/P Ø30xØ34 | 1 |
| 014 | 65.02504.00 | RUBBER HOSE B/P Ø30xØ34 | 1 |
| 015 | 65.00158.00 | RUBBER HOSE B/P 25x35x450 | 1 |
| 016 | 912.20032.00 | CLAMP | 1 |
| 017 | 469.01017.00 | TUBE MAT. | 1 |
| 018 | 912.08016.66 | CLAMP DIN3017 | 1 |

02. ENGINE RADIATOR (PART 2)



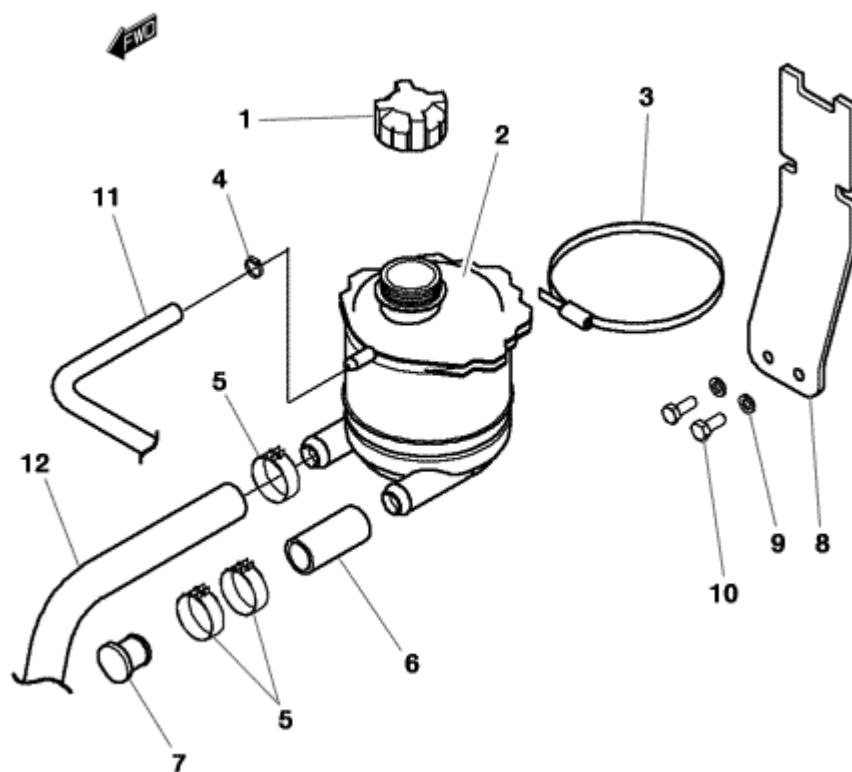
| FIGURE | REFERENCE | DENOMINATION | AMOUNT |
|--------|--------------|---------------------|--------|
| 001 | 472.00411.00 | RUBBER PROFILE MAT. | 4 |
| 002 | 65.02517.00 | RADIATOR PROTECTION | 1 |
| 003 | 472.00007.00 | RUBBER PROFILE MAT. | 2 |

02. ENGINE
RADIATOR (PART 2)
CHASSIS: 51738



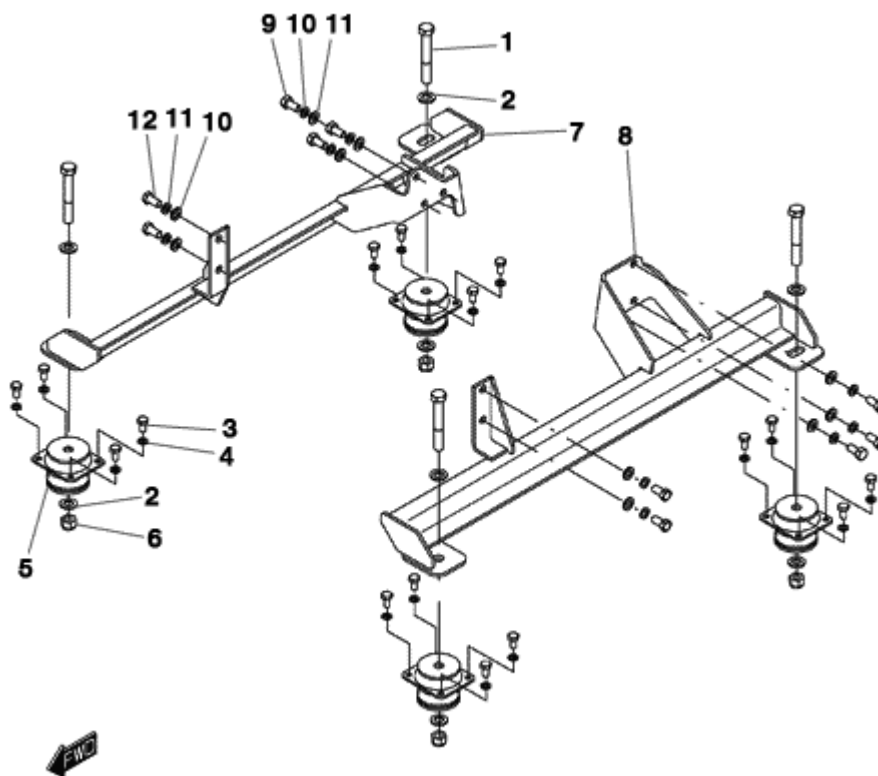
| FIGURE | REFERENCE | DENOMINATION | AMOUNT |
|--------|--------------|---------------------|--------|
| 001 | 472.00411.00 | RUBBER PROFILE MAT. | 4 |
| 002 | 65.02517.01 | RADIATOR PROTECTOR | 1 |
| 003 | 472.00007.00 | RUBBER PROFILE MAT. | 2 |

02. ENGINE RADIATOR (PART 3)



| FIGURE | REFERENCE | DENOMINATION | AMOUNT |
|--------|--------------|-------------------------|--------|
| 001 | 09.00172.00 | CAP | 1 |
| 002 | 09.00171.00 | EXPANSION TANK C / PLUG | 1 |
| 003 | 912.12140.66 | CLAMP | 1 |
| 004 | 912.08016.66 | CLAMP DIN3017 | 1 |
| 005 | 912.20032.00 | CLAMP | 3 |
| 006 | 09.00246.02 | SLEEVE | 1 |
| 007 | 09.00246.01 | CAP | 1 |
| 008 | 65.02512.00 | SUPPORT 227x117x108 | 1 |
| 009 | 104.08000.00 | WASHER DIN7980 D8 | 2 |
| 010 | 603.08015.86 | SCREW DIN933 M8x15 | 2 |

02. ENGINE ENGINE SUPPORTS

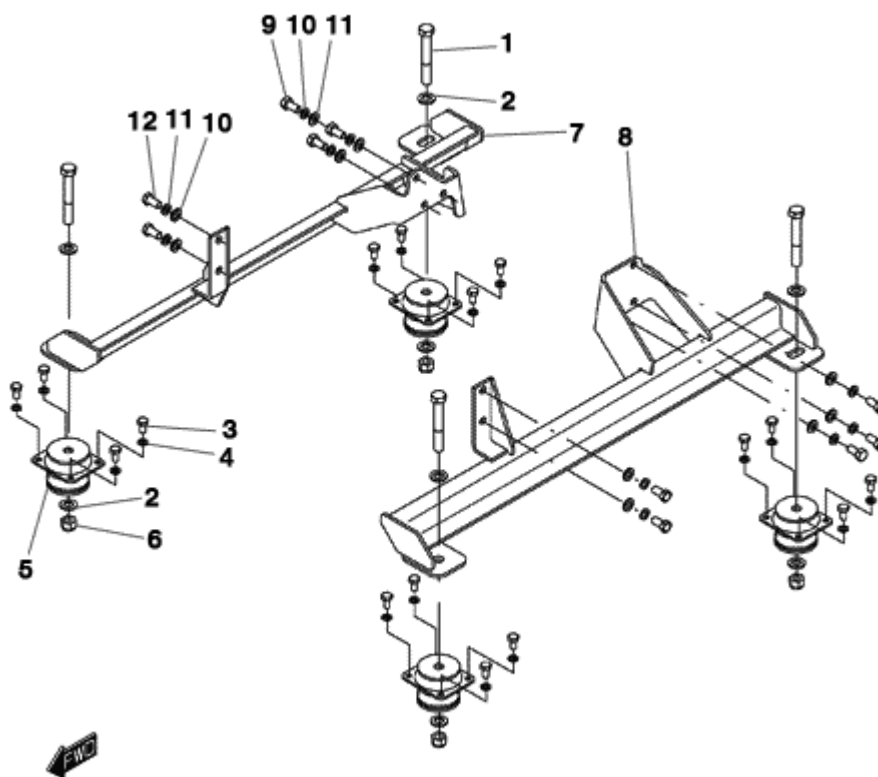


| FIGURE | REFERENCE | DENOMINATION | AMOUNT |
|--------|--------------|---------------------------|--------|
| 001 | 604.16110.86 | SCREW DIN931 M16x110 | 4 |
| 002 | 101.16000.66 | WASHER DIN125 D16 | 8 |
| 003 | 603.10020.86 | SCREW DIN933 M10x20 | 16 |
| 004 | 104.10000.00 | WASHER DIN7980 D10 | 16 |
| 005 | 64.02123.00 | SHOCK ABSORBER, 66x92x103 | 4 |
| 006 | 711.16000.86 | NUT DIN982 M16 C8 | 4 |
| 007 | 65.02124.00 | ENGINE SUPPORT | 1 |
| 008 | 65.02125.00 | ENGINE SUPPORT | 1 |
| 009 | 625.12025.86 | BOLT DIN961 M12x1,25x25 | 6 |
| 010 | 104.12000.00 | WASHER DIN7980 D12 | 10 |
| 011 | 101.12000.66 | WASHER DIN125 D12 | 10 |
| 012 | 629.13025.86 | BOLT DIN933 1/2-13UNCx25 | 4 |

02. ENGINE

ENGINE SUPPORTS

CHASSIS: 59224

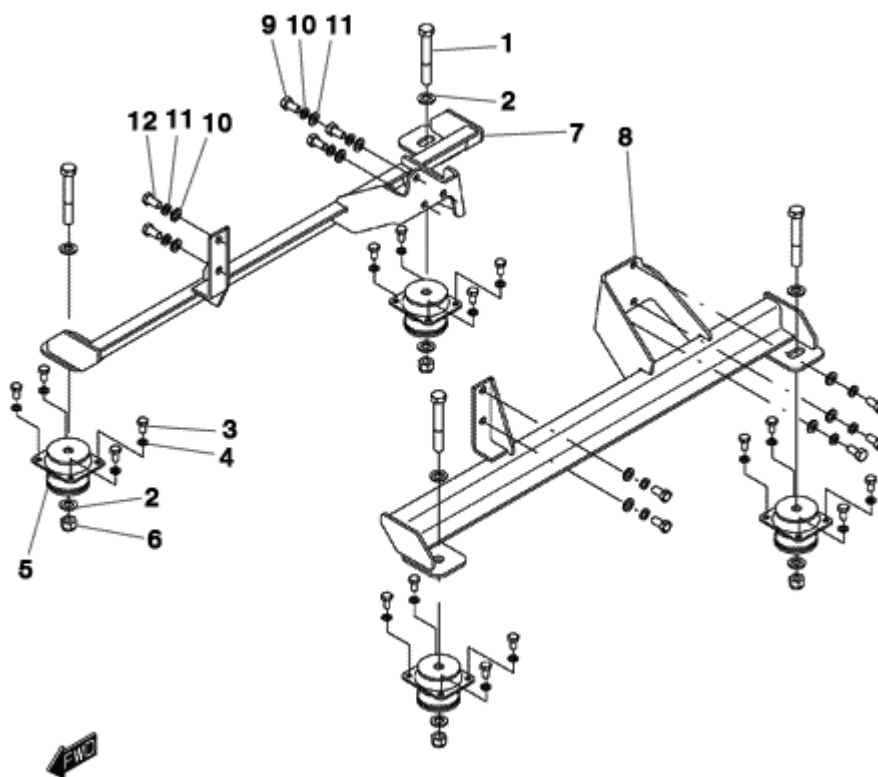


| FIGURE | REFERENCE | DENOMINATION | AMOUNT |
|--------|--------------|--------------------------|--------|
| 001 | 604.16110.86 | SCREW DIN931 M16x110 | 4 |
| 002 | 101.16000.66 | WASHER DIN125 D16 | 8 |
| 003 | 603.10020.86 | SCREW DIN933 M10x20 | 16 |
| 004 | 104.10000.00 | WASHER DIN7980 D10 | 16 |
| 005 | 64.02130.00 | FIXATION SUPPORT | 4 |
| 006 | 711.16000.86 | NUT DIN982 M16 C8 | 4 |
| 007 | 65.02124.01 | | 1 |
| 008 | 65.02125.01 | | 1 |
| 009 | 625.12025.86 | BOLT DIN961 M12x1,25x25 | 6 |
| 010 | 104.12000.00 | WASHER DIN7980 D12 | 10 |
| 011 | 101.12000.66 | WASHER DIN125 D12 | 10 |
| 012 | 629.13025.86 | BOLT DIN933 1/2-13UNCx25 | 4 |

02. ENGINE

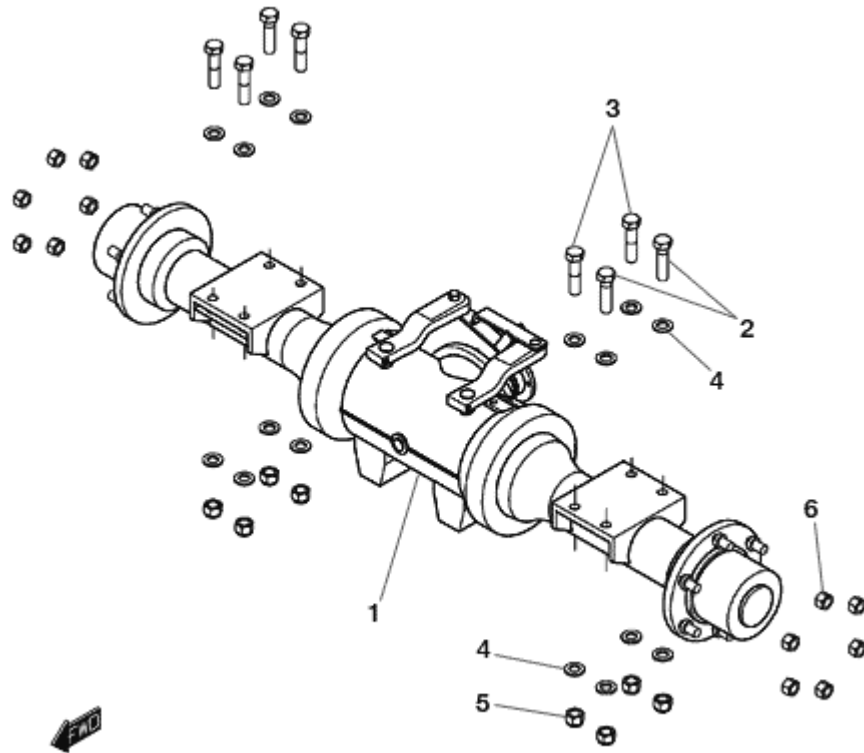
ENGINE SUPPORTS

CHASSIS: 60817



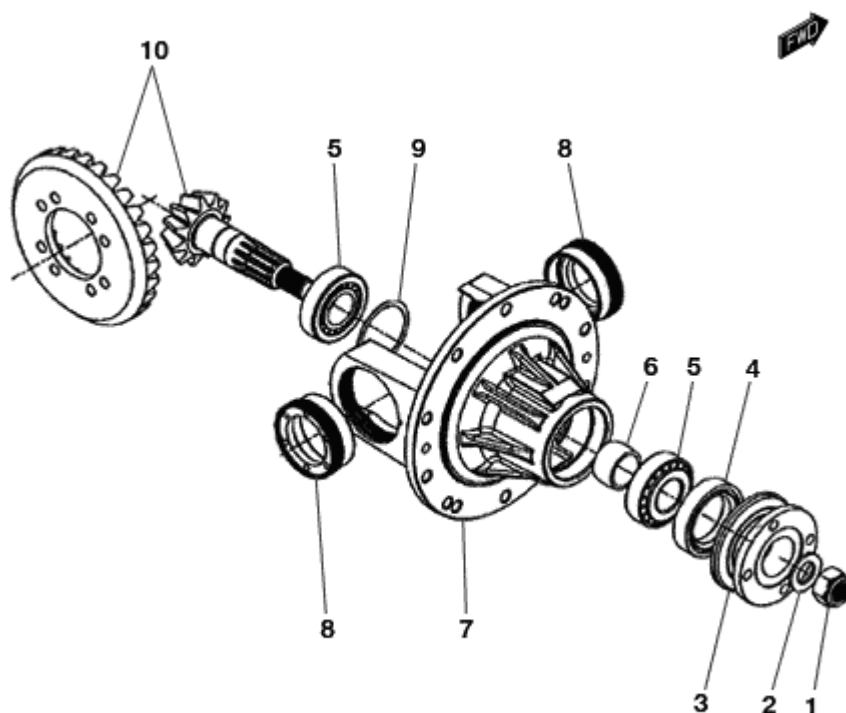
| FIGURE | REFERENCE | DENOMINATION | AMOUNT |
|--------|--------------|--------------------------|--------|
| 001 | 604.16110.86 | SCREW DIN931 M16x110 | 4 |
| 002 | 101.16000.66 | WASHER DIN125 D16 | 8 |
| 003 | 603.10020.86 | SCREW DIN933 M10x20 | 16 |
| 004 | 104.10000.00 | WASHER DIN7980 D10 | 16 |
| 005 | 64.03120.01 | SHOCK ABSORBER | 4 |
| 006 | 711.16000.86 | NUT DIN982 M16 C8 | 4 |
| 007 | 65.02124.01 | | 1 |
| 008 | 65.02125.01 | | 1 |
| 009 | 625.12025.86 | BOLT DIN961 M12x1,25x25 | 6 |
| 010 | 104.12000.00 | WASHER DIN7980 D12 | 10 |
| 011 | 101.12000.66 | WASHER DIN125 D12 | 10 |
| 012 | 629.13025.86 | BOLT DIN933 1/2-13UNCx25 | 4 |

TRANSMISSION (FRONT AXLE) FRONT AXLE



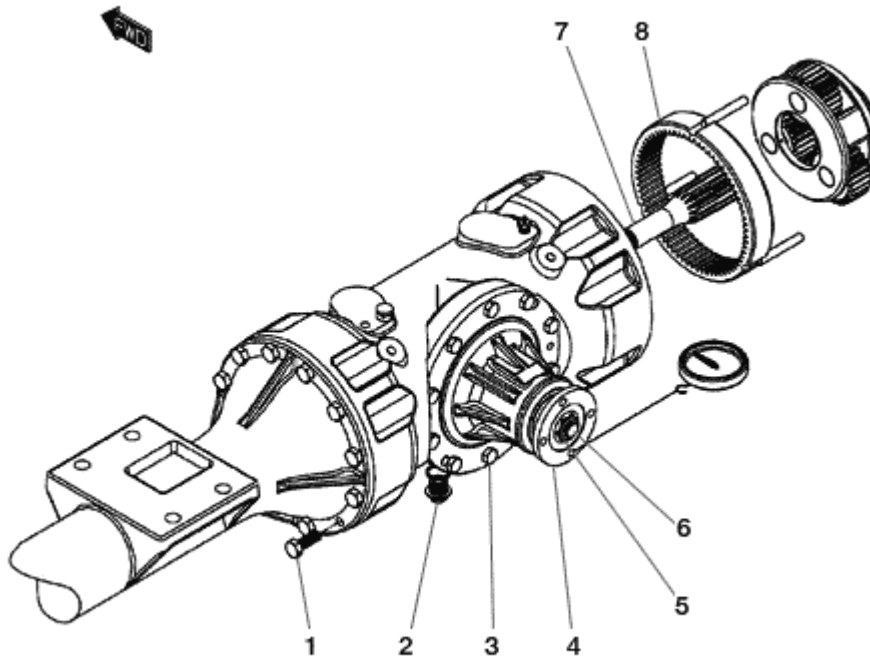
| FIGURE | REFERENCE | DENOMINATION | AMOUNT |
|--------|--------------|----------------------|--------|
| 001 | 65.03311.00 | FRONT FIX AXLE | 1 |
| 002 | 604.16060.86 | SCREW DIN931 | 4 |
| 003 | 604.16065.86 | BOLT DIN931 M16x65 | 4 |
| 004 | 101.16000.66 | WASHER DIN125 D16 | 16 |
| 005 | 711.16000.66 | NUT DIN982 M16 8.8 K | 8 |
| 006 | NE0070171 | WHEEL NUT | 12 |

TRANSMISSION (FRONT AXLE) RING & PINION



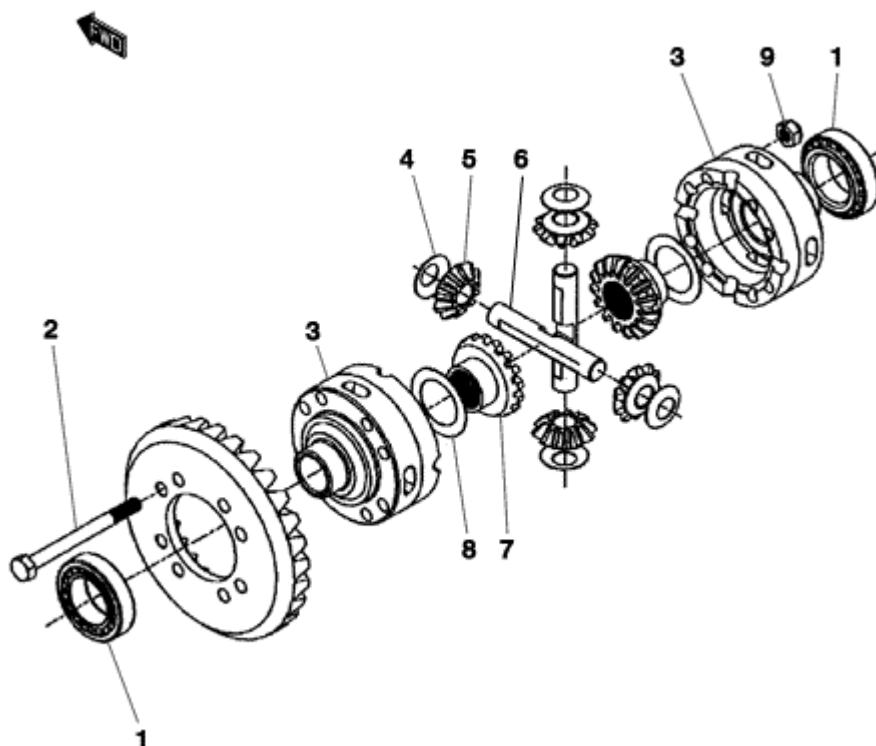
| FIGURE | REFERENCE | DENOMINATION | AMOUNT |
|--------|----------------|-----------------------------|--------|
| 001 | NE0070130 | NUT M20 | 1 |
| 002 | NE0090090 | PLAIN WASHER | 1 |
| 003 | NE4159810 | INPUT DRIVE FLANGE ASSY | 1 |
| 004 | NE0020030 | OIL SEAL | 2 |
| 005 | NE055C020U043H | BEARING CUP & CONE | 2 |
| 006 | NE2501050 | SPACER | 1 |
| 007 | NE4152300 | INPUT PINION CARTRIDGE | 1 |
| 008 | NE4152151 | BEARING ADJUSTER NUT | 2 |
| 009 | NE3602210 | SHIM .3MM | 2 |
| 009 | NE3602290 | SHIM .4MM | 2 |
| 009 | NE3602350 | SHIM .25 MM | 2 |
| 010 | NE4169820 | SPIRAL BEVEL PINION & WHEEL | 1 |

TRANSMISSION (FRONT AXLE) CAB AND PROTECTORS



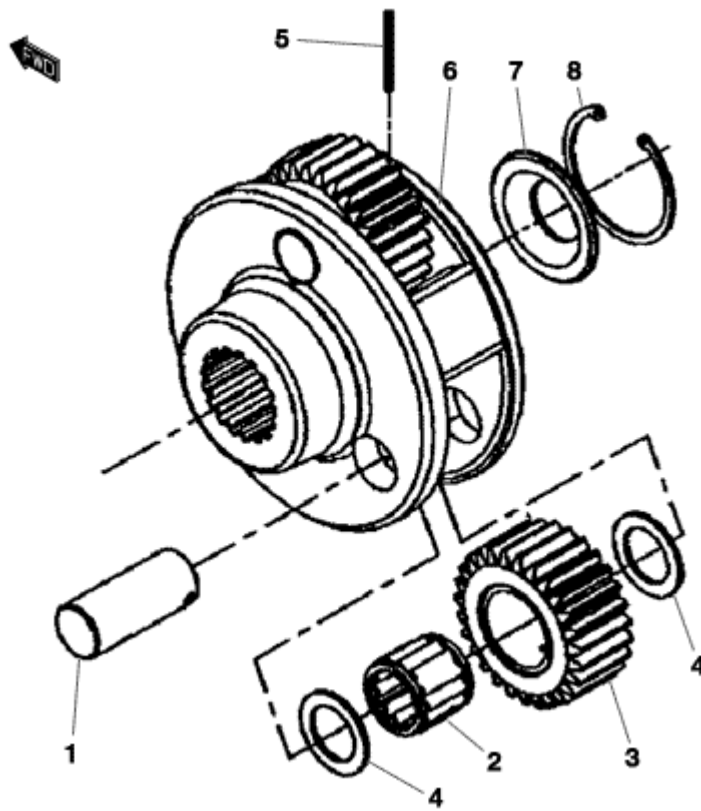
| FIGURE | REFERENCE | DENOMINATION | AMOUNT |
|--------|--------------|-----------------------------|--------|
| 001 | NE0041210HTP | BOLT M12x35 | 24 |
| 002 | NE0150250 | DRAIN PLUG | 2 |
| 003 | NE0041009HTP | BOLT M10x30 | 10 |
| 004 | NE4159810 | INPUT DRIVE FLANGE ASSY | 1 |
| 005 | NE0070130 | NUT M20 | 1 |
| 006 | NE4169820 | SPIRAL BEVEL PINION & WHEEL | 1 |
| 007 | NE4160090 | SUN GEAR | 2 |
| 008 | NE4150070 | ANNULUS | 2 |

TRANSMISSION (FRONT AXLE) DIFFERENTIAL



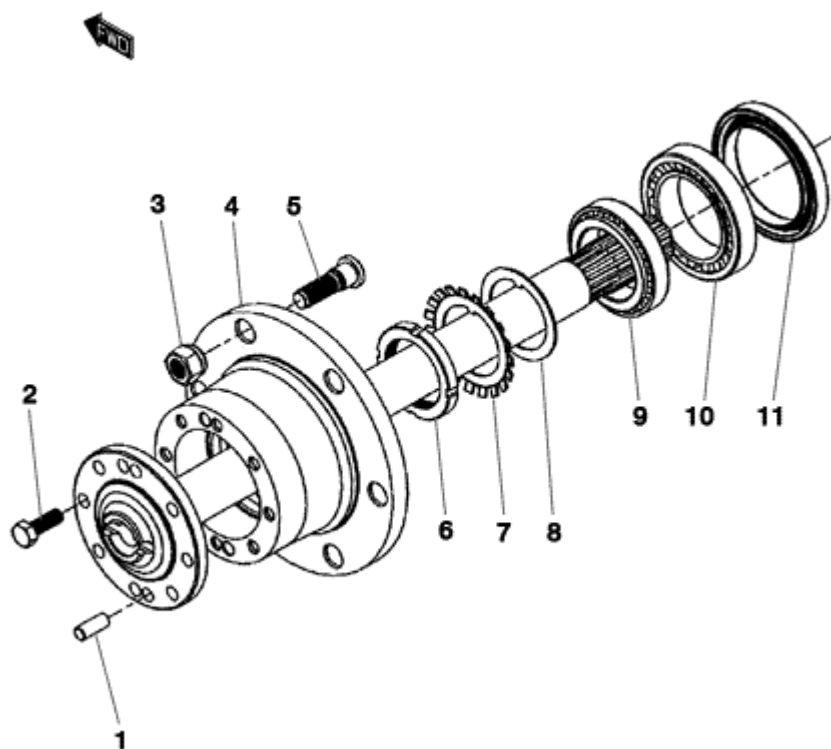
| FIGURE | REFERENCE | DENOMINATION | AMOUNT |
|--------|----------------|---------------------|--------|
| 001 | NE055C024U041H | BEARING | 2 |
| 002 | NE0041023 | BOLT M10x110 MM | 8 |
| 003 | NE3509520 | DIFF. CASE ASSY | 1 |
| 004 | NE2502120 | THRUST WASHER | 4 |
| 005 | NE3602100 | DIFF. PINION | 4 |
| 006 | NE2512130 | DIFF. SPIDER (HALF) | 2 |
| 007 | NE3602090 | DIFF. WHEEL | 2 |
| 008 | NE2502110 | THRUST WASHER | 2 |
| 009 | NE0051006HT | NUT NYLOC M10 | 8 |

TRANSMISSION (FRONT AXLE) PLANET CARRIER



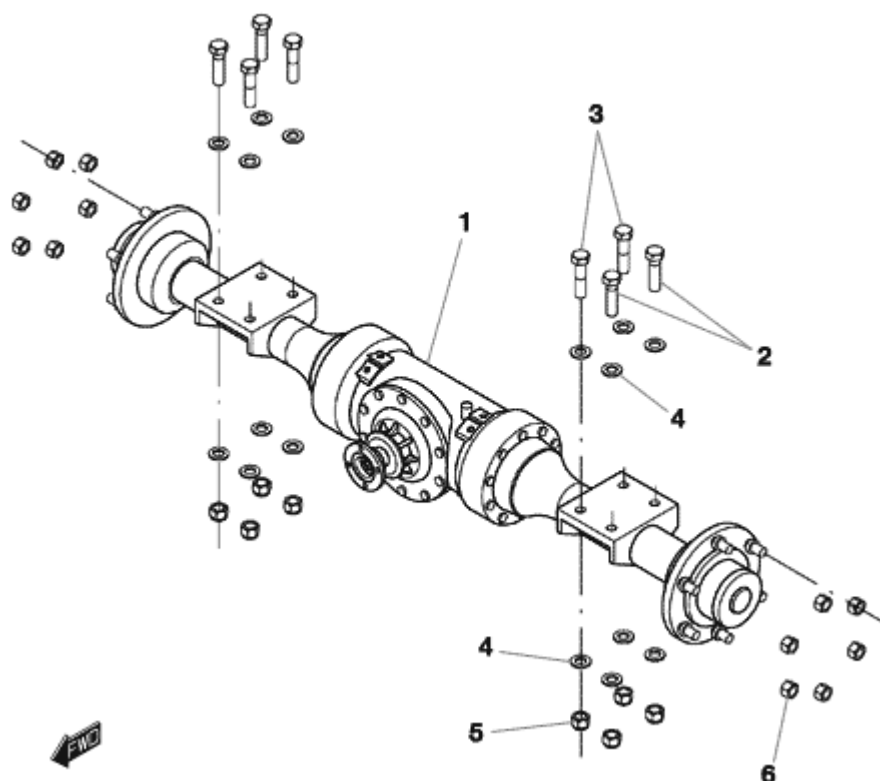
| FIGURE | REFERENCE | DENOMINATION | AMOUNT |
|--------|-----------|----------------|--------|
| 001 | NE4150250 | PLANET PIN | 3 |
| 002 | NE0562530 | NEEDLE BEARING | 3 |
| 003 | NE4150080 | PLANET GEAR | 3 |
| 004 | NE4100271 | THRUST WASHER | 6 |
| 005 | NE0100070 | SPRING DOWEL | 3 |
| 006 | NE4160060 | PLANET CARRIER | 1 |
| 007 | NE4101321 | SPACER | 1 |
| 008 | NE0030100 | CIRCLIP | 1 |

TRANSMISSION (FRONT AXLE) WHEEL HUB



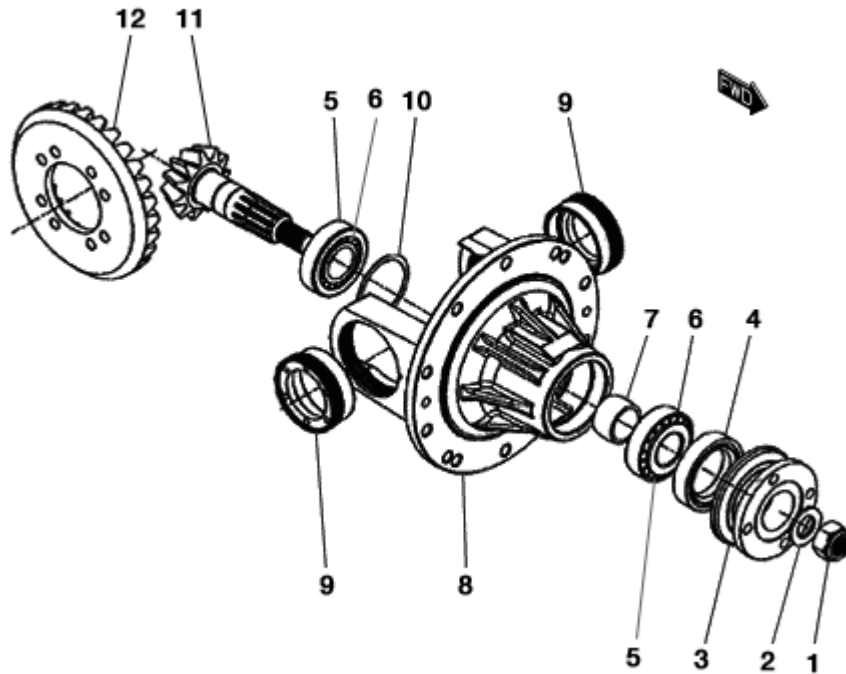
| FIGURE | REFERENCE | DENOMINATION | AMOUNT |
|--------|--------------|----------------|--------|
| 001 | NE0211225 | DOWEL PIN | 2 |
| 002 | NE0041210HTP | BOLT M12x35 | 8 |
| 003 | NE0070171 | WHEEL NUT | 6 |
| 004 | NE4160040 | HUB | 1 |
| 005 | NE4000450 | WHEEL STUD M18 | 6 |
| 006 | NE010N501 | LOCKNUT | 1 |
| 007 | NE010W651 | LOCK WASHER | 1 |
| 008 | NE4151440 | SPACER | 1 |
| 009 | NE0540604H | BEARING | 1 |
| 010 | NE0540751H | BEARING | 1 |
| 011 | NE4172850 | OIL SEAL | 1 |

TRANSMISSION (REAR AXLE) REAR AXLE



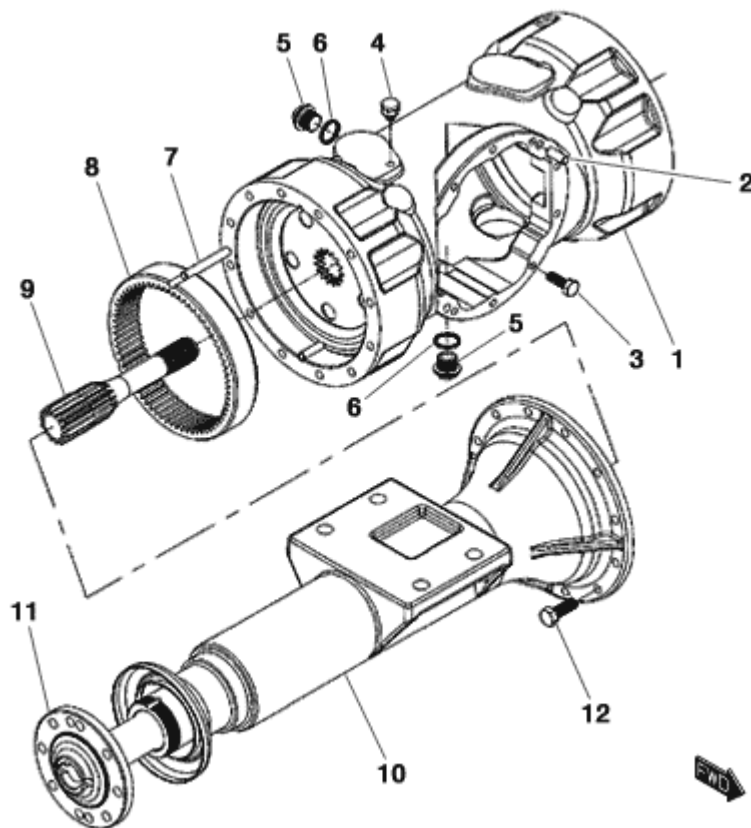
| FIGURE | REFERENCE | DENOMINATION | AMOUNT |
|--------|--------------|----------------------|--------|
| 001 | 65.03312.00 | REAR FIX AXLE | 1 |
| 002 | 604.16060.86 | SCREW DIN931 | 4 |
| 003 | 604.16065.86 | BOLT DIN931 M16x65 | 4 |
| 004 | 101.16000.66 | WASHER DIN125 D16 | 16 |
| 005 | 711.16000.66 | NUT DIN982 M16 8.8 K | 8 |
| 006 | NE0070171 | WHEEL NUT | 12 |

TRANSMISSION (REAR AXLE) RING & PINION



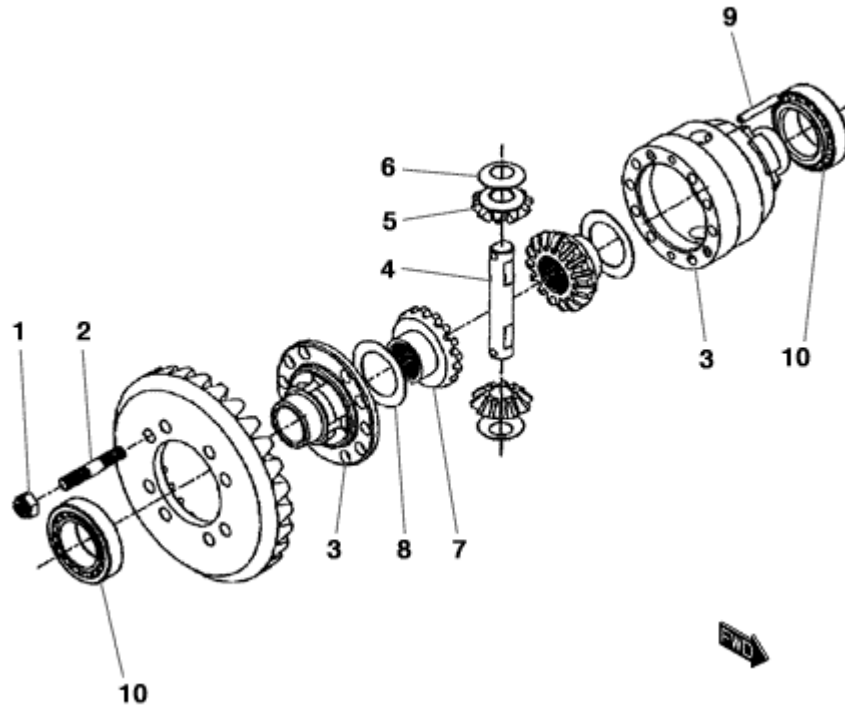
| FIGURE | REFERENCE | DENOMINATION | AMOUNT |
|--------|------------|-------------------------|--------|
| 001 | NE0070130 | NUT M20 | 1 |
| 002 | NE0090090 | PLAIN WASHER | 1 |
| 003 | NE4159810 | INPUT DRIVE FLANGE ASSY | 1 |
| 004 | NE0020030 | OIL SEAL | 2 |
| 005 | NE055U043H | BEARING CUP | 2 |
| 006 | NE055C020H | BEARING CONE | 2 |
| 007 | NE2501050 | SPACER | 1 |
| 008 | NE2152300 | INPUT PINION CARTRIDGE | 1 |
| 009 | NE4152151 | BEARING ADJUSTER NUT | 2 |
| 010 | NE3602210 | SHIM .3MM | 2 |
| 010 | NE3602290 | SHIM .4MM | 2 |
| 010 | NE3602350 | SHIM .25 MM | 2 |
| 011 | NE2179820 | CROWN WHEEL & PINION | 1 |

TRANSMISSION (REAR AXLE) CAB AND PROTECTORS



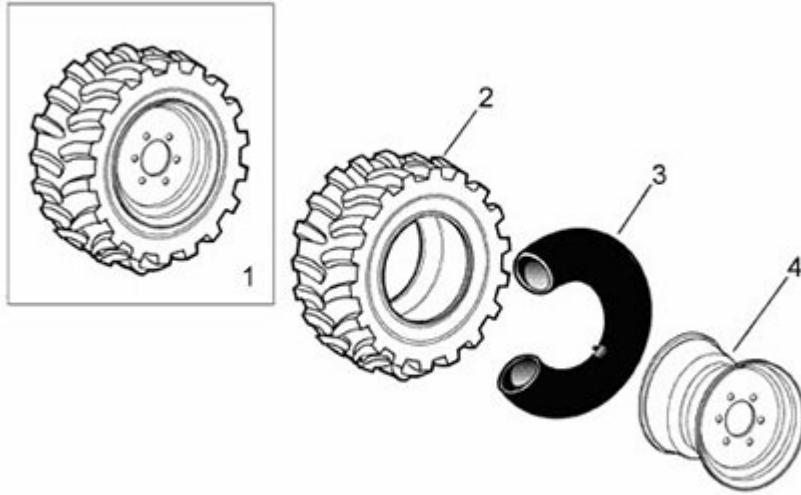
| FIGURE | REFERENCE | DENOMINATION | AMOUNT |
|--------|--------------|--------------------|--------|
| 001 | NE2150013 | MAIN CASE | 1 |
| 002 | NE0100040 | DOWEL PIN D10x20 | 2 |
| 003 | NE0041009HTP | BOLT M10x30 | 10 |
| 004 | NECP1434 | BREATHER | 1 |
| 005 | NECP1189 | DRAIN & LEVEL PLUG | 2 |
| 006 | NE0201714 | BONDED SEAL | 2 |
| 007 | NE0100160 | DOWEL PIN | 4 |
| 008 | NE2100070 | ANNULUS | 2 |
| 009 | NE2150090 | SUN GEAR | 2 |
| 010 | NE2150025 | AXLE ARM 1125 MM | 2 |
| 011 | NE2190100 | AXLE SHAFT | 2 |
| 012 | NE0041009HTP | BOLT M10x30 | 24 |

TRANSMISSION (REAR AXLE) DIFFERENTIAL



| FIGURE | REFERENCE | DENOMINATION | AMOUNT |
|--------|------------|---------------|--------|
| 001 | NE0051006 | NYLOC NUT M10 | 8 |
| 002 | NE2001911 | STUD | 8 |
| 003 | NE2152070 | DIFF CASE LH | 1 |
| 003 | NE2152080 | DIFF CASE RH | 1 |
| 004 | NE2012130 | DIFF. SPIDER | 1 |
| 005 | NE3602100 | DIFF. PINION | 2 |
| 006 | NE2502120 | THRUST WASHER | 2 |
| 007 | NE3602090 | DIFF. WHEEL | 2 |
| 008 | NE2502110 | THRUST WASHER | 2 |
| 009 | NE028S645 | SPIROL PIN | 2 |
| 010 | NE055C024H | BEARING | 2 |
| 010 | NE055U041H | BEARING CUP | 2 |

WHEEL WHEELS



FIGURE

REFERENCE

DENOMINATION

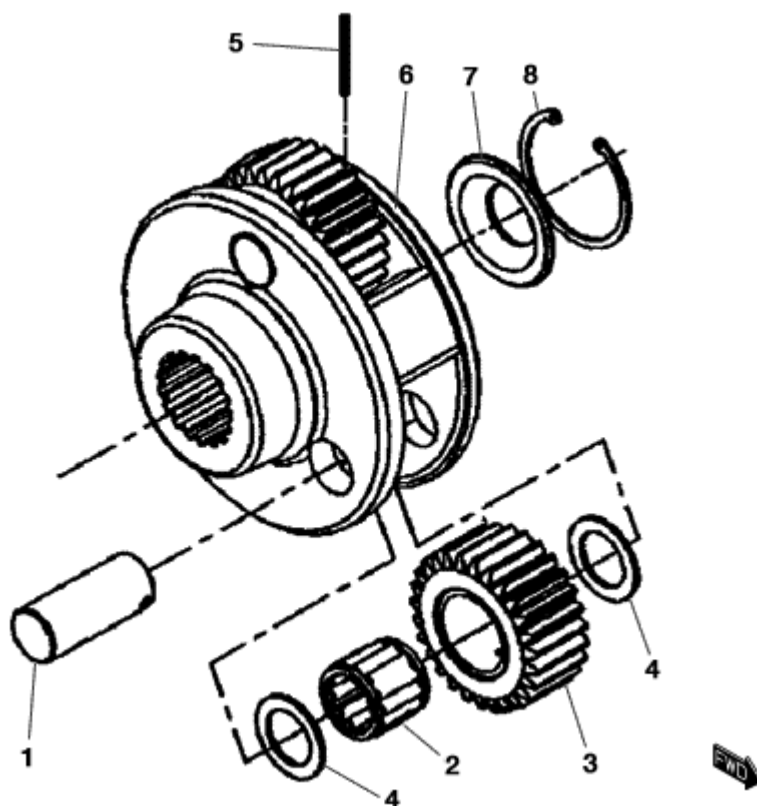
AMOUNT

WHEEL
WHEELS
CHASSIS: 47376



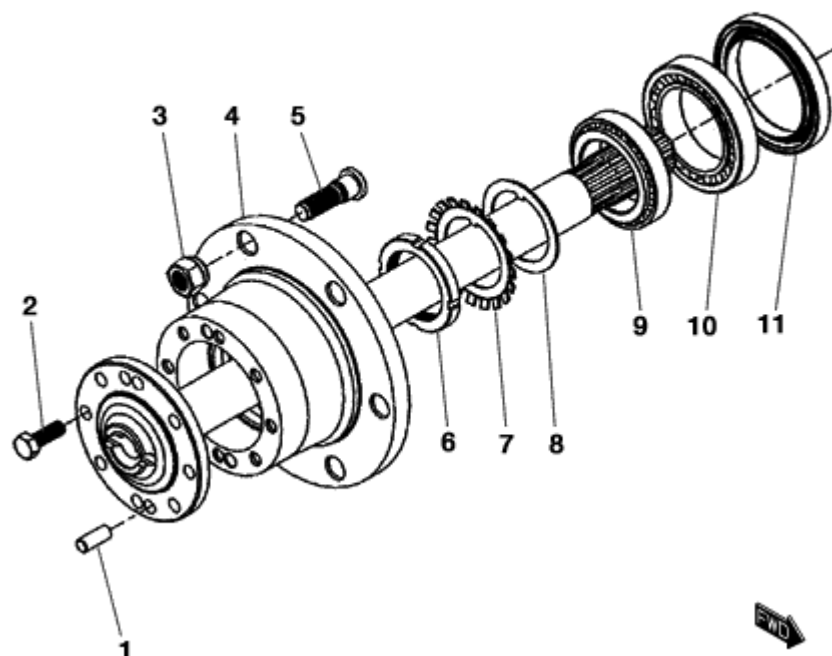
| FIGURE | REFERENCE | DENOMINATION | AMOUNT |
|--------|--------------|-------------------------------|--------|
| 001 | 65.07100IZ01 | LEFT FULL WHEEL 11.5/80-15.3 | 2 |
| 001 | 65.07100DE01 | RIGHT FULL WHEEL 11.5/80-15.3 | 2 |
| 002 | 65.07101.00 | TYRE TT 11,5/80-15,3 14TS5 | 4 |
| 003 | 65.07113.00 | RIM 9.00x15.3" | 4 |
| 004 | 70.07023.00 | TUBELESS VALVE TR415 | 4 |

TRANSMISSION (REAR AXLE) PLANET CARRIER



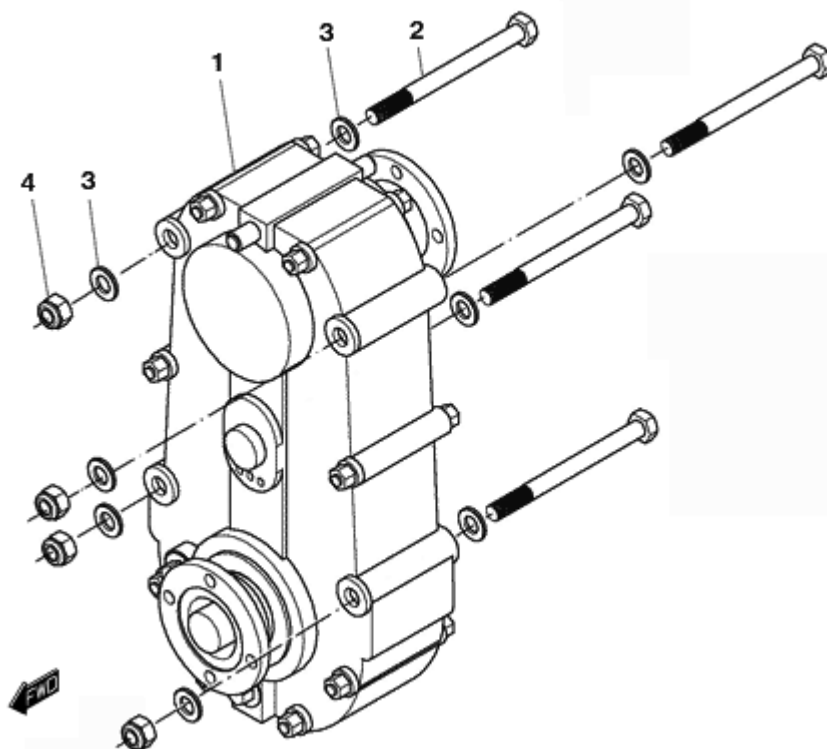
| FIGURE | REFERENCE | DENOMINATION | AMOUNT |
|--------|-----------|----------------|--------|
| 001 | NE2200250 | PLANET PIN | 3 |
| 002 | NE0562002 | NEEDLE BEARING | 3 |
| 003 | NE2200080 | PLANET GEAR | 3 |
| 004 | NE2500270 | THRUST WASHER | 6 |
| 005 | NE0100210 | SPRING DOWEL | 3 |
| 006 | NE2200061 | PLANET CARRIER | 1 |
| 007 | NE2201320 | SPACER | 1 |
| 008 | NE0030140 | CIRCLIP | 1 |

TRANSMISSION (REAR AXLE) WHEEL HUB



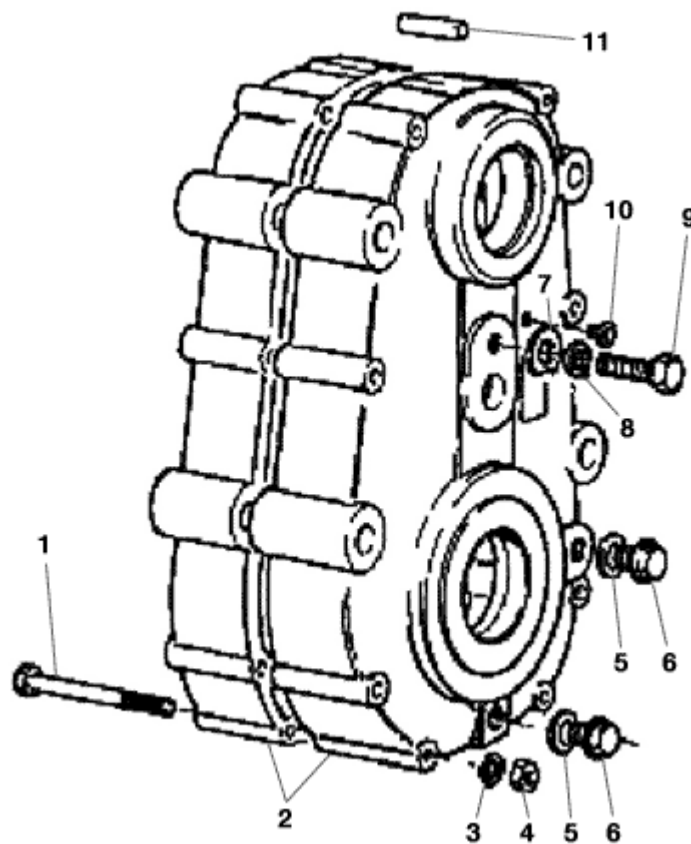
| FIGURE | REFERENCE | DENOMINATION | AMOUNT |
|--------|--------------|------------------|--------|
| 001 | NE0100040 | DOWEL PIN D10x20 | 2 |
| 002 | NE0041009HTP | BOLT M10x30 | 8 |
| 003 | NE0070171 | WHEEL NUT | 6 |
| 004 | NE2170040 | HUB | 1 |
| 005 | NE4000450 | WHEEL STUD M18 | 6 |
| 006 | NE010N511 | LOCKNUT | 1 |
| 007 | NE010W551 | LOCK WASHER | 1 |
| 008 | NE3501440 | SPACER | 1 |
| 009 | NE0540604H | BEARING | 1 |
| 010 | NE0540552H | BEARING | 1 |
| 011 | NE2162850 | seal | 1 |

03. TRANSMISSION TRANSFER BOX



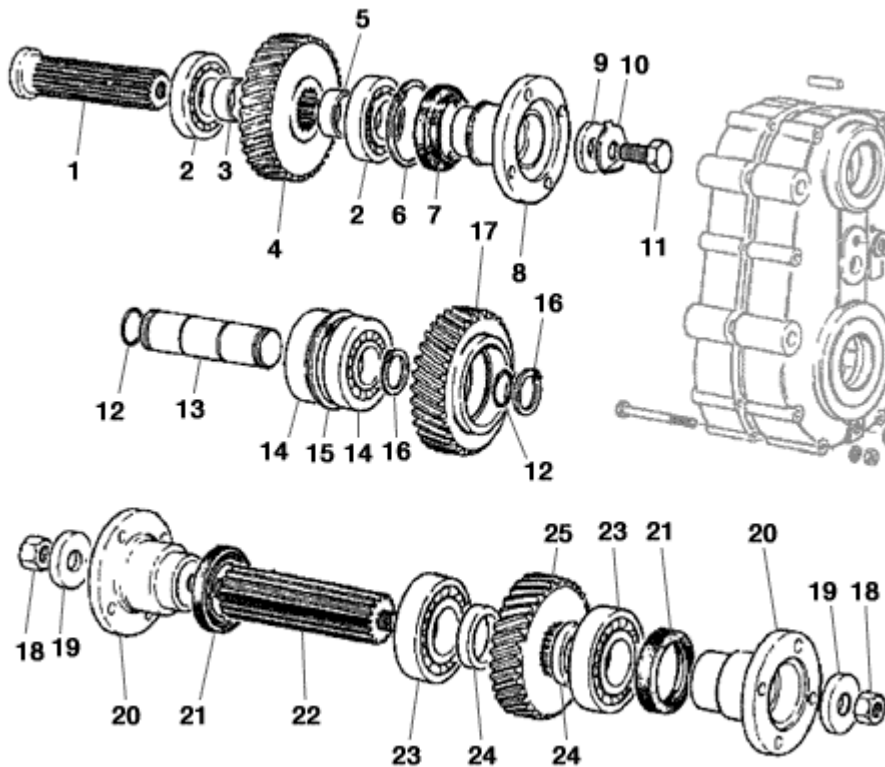
| FIGURE | REFERENCE | DENOMINATION | AMOUNT |
|--------|--------------|-------------------|--------|
| 001 | 65.03112.00 | TRANSFER BOX | 1 |
| 002 | 604.12140.86 | SCREW DIN931 | 4 |
| 003 | 101.12000.66 | WASHER DIN125 D12 | 8 |
| 004 | 711.12000.86 | NUT DIN982 M12 C8 | 4 |

03. TRANSMISSION TRANSFER BOX INTERIOR (PART 1)



| FIGURE | REFERENCE | DENOMINATION | AMOUNT |
|--------|---------------|---------------|--------|
| 001 | NE0040822 | BOLT | 8 |
| 002 | NEG1018/G1019 | GEAR CASE | 1 |
| 003 | NE0191105 | SPRING WASHER | 8 |
| 004 | NE0050801 | NUT | 8 |
| 005 | NECP1204 | BONDED SEAL | 2 |
| 006 | NECP1123 | DRAIN PLUG | 2 |
| 007 | NE40M178 | | 1 |
| 008 | NE0201706 | DOWTY WASHER | 1 |
| 009 | NE0041007 | SCREW | 1 |
| 010 | NE0080070 | VALVE | 1 |
| 011 | NECM2064 | DOWEL | 2 |

03. TRANSMISSION TRANSFER BOX INTERIOR (PART 2)



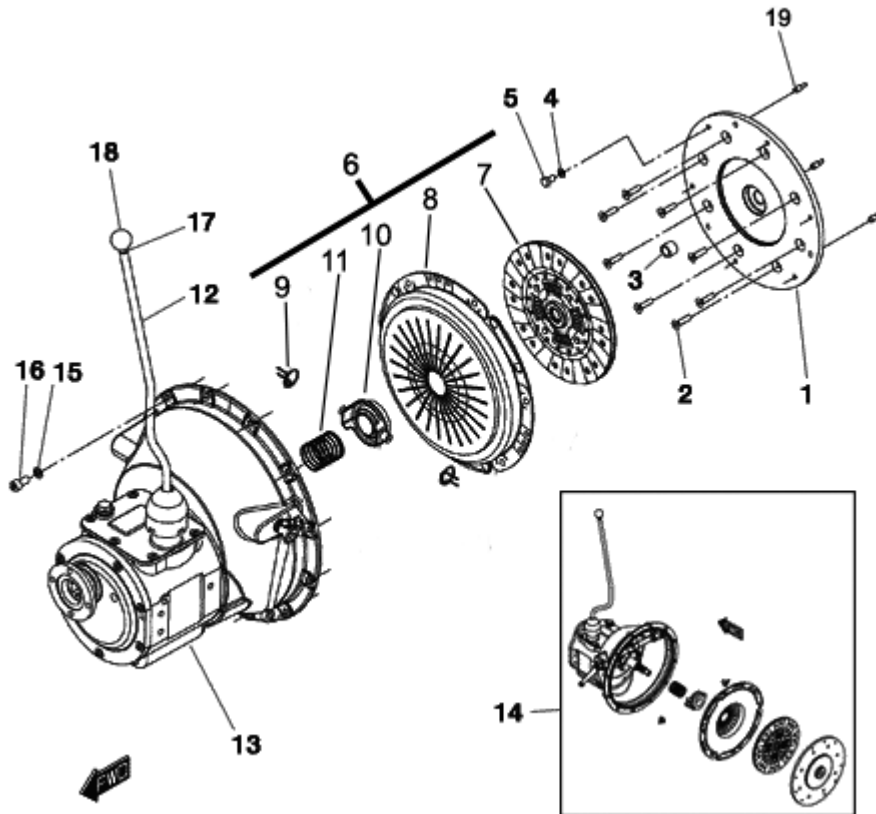
| FIGURE | REFERENCE | DENOMINATION | AMOUNT |
|--------|-------------|-----------------|--------|
| 001 | NEG1222 | INPUT SHAFT | 1 |
| 003 | NEG1007 | SPACER | 1 |
| 004 | NEG1062 | INPUT GEARWHEEL | 1 |
| 005 | NEG1008 | SPACER | 1 |
| 006 | NE0340620 | CIRCLIP | 1 |
| 007 | NE40M167 | OIL SEAL | 1 |
| 008 | NECM2538S/A | COUPLING | 1 |
| 009 | NETR1224 | THICK WASHER | 1 |
| 010 | NECM2050 | TAB WASHER | 1 |
| 011 | NE0041209HT | BOLT | 1 |
| 012 | NE0430243 | O-RING | 2 |
| 013 | NEG1058 | IDLER SHAFT | 1 |
| 014 | NEMT713 | ROLLER BEARING | 2 |
| 015 | NECM2077 | CIRCLIP | 1 |
| 016 | NE0330300 | CIRCLIP | 2 |
| 017 | NEG1063 | INPUT GEARWHEEL | 1 |
| 018 | NEG1270 | NUT | 2 |
| 019 | NEG1084 | THICK WASHER | 2 |

03. TRANSMISSION

TRANSFER BOX INTERIOR (PART 2)

| FIGURE | REFERENCE | DENOMINATION | AMOUNT |
|--------|------------|------------------|--------|
| 020 | NEF1006S.A | COUPLING | 2 |
| 021 | NE0020600 | OIL SEAL | 2 |
| 022 | NEG1083 | OUTPUT SHAFT | 1 |
| 023 | NE0522461 | BALL BEARING | 2 |
| 024 | NEG1017 | SPACER | 2 |
| 025 | NEG1064 | OUTPUT GEARWHEEL | 1 |

03. TRANSMISSION TRANSMISSION

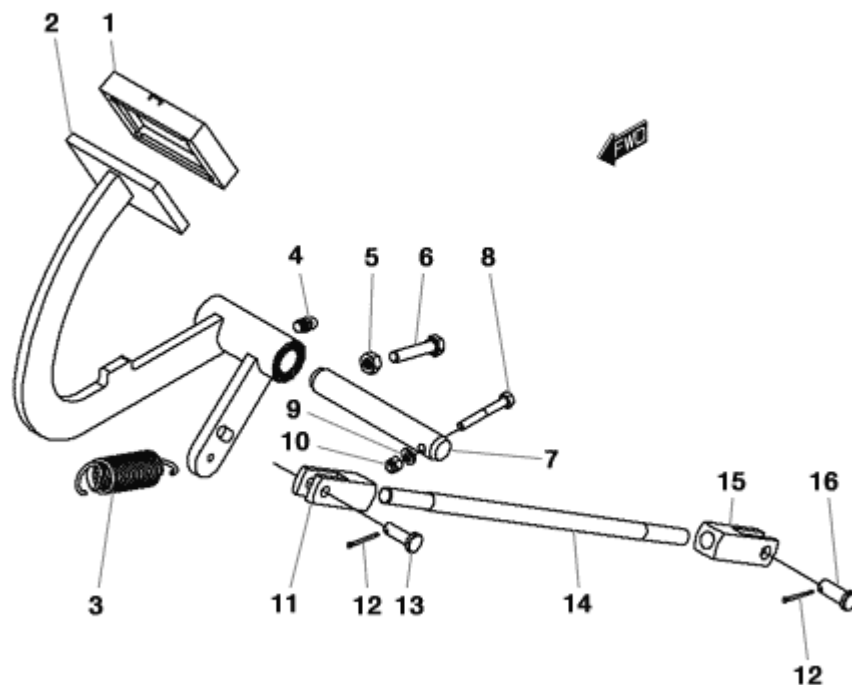


| FIGURE | REFERENCE | DENOMINATION | AMOUNT |
|--------|--------------|----------------------|--------|
| 001 | 65.02141.00 | CLUTCH PLATE | 1 |
| 002 | 618.18025.90 | SCREW | 8 |
| 003 | 65.02142.00 | BUSHING 20x15x2.5 | 1 |
| 004 | 104.08000.00 | WASHER DIN7980 D8 | 6 |
| 005 | 604.08015.86 | SCREW | 6 |
| 006 | NE85M001 | CLUTCH DISK ASSEMBLY | 1 |
| 007 | NELCGG56001A | CLUTCH DISK | 1 |
| 008 | NELCKG2006AY | | 1 |
| 009 | NE41628 | FIXATION SPRING | 2 |
| 010 | NERDC1045 | BEARING | 1 |
| 011 | NE40M967 | SPRING | 1 |
| 012 | 65.03121.00 | GEAR LEVER | 1 |
| 013 | NE85M2A232 | GEARBOX | 1 |
| 014 | 65.03111.00 | GEARBOX | 1 |
| 015 | 104.10000.00 | WASHER DIN7980 D10 | 12 |
| 016 | 607.10025.86 | | 12 |
| 017 | 65.03123.00 | NUT | 1 |
| 018 | 65.03124.00 | | 1 |

03. TRANSMISSION TRANSMISSION

| FIGURE | REFERENCE | DENOMINATION | AMOUNT |
|--------|-------------|---------------------|--------|
| 019 | 65.02143.00 | AXLE CIL/CIL 6X8X16 | 3 |

03. TRANSMISSION CLUTCH PEDAL

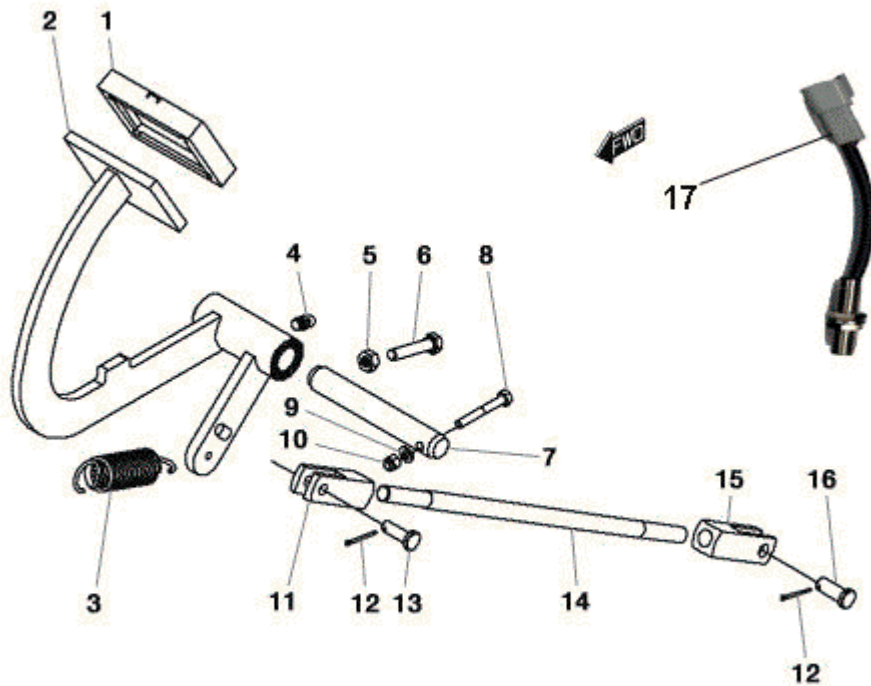


| FIGURE | REFERENCE | DENOMINATION | AMOUNT |
|--------|--------------|----------------------------|--------|
| 001 | 43.07310.01 | PANEL | 1 |
| 002 | 65.03113.00 | CLUTCH PEDAL | 1 |
| 003 | 01.00223.01 | SPRING TENSION | 1 |
| 004 | 901.08000.33 | GREASER DIN71412-A M8x1,25 | 1 |
| 005 | 701.08000.66 | NUT DIN934 M8X1,25 | 1 |
| 006 | 603.08040.86 | SCREW DIN933 | 1 |
| 007 | 65.03114.00 | AXLE | 1 |
| 008 | 604.06045.86 | SCREW DIN931 M6x45 | 1 |
| 009 | 101.06000.66 | WASHER DIN125 D6 | 1 |
| 010 | 711.06000.66 | NUT DIN982 M6 | 1 |
| 011 | 15.00719.10 | ART. FORK | 1 |
| 012 | 401.02025.60 | PIN DIN94 2x25 | 2 |
| 013 | 01.00514.01 | AXLE CIL/CPA 14x8x28 | 1 |
| 014 | 65.03115.00 | AXLE | 1 |
| 015 | 65.03116.00 | ROD | 1 |
| 016 | 65.03117.00 | PIN 9,8x28 | 1 |

03. TRANSMISSION

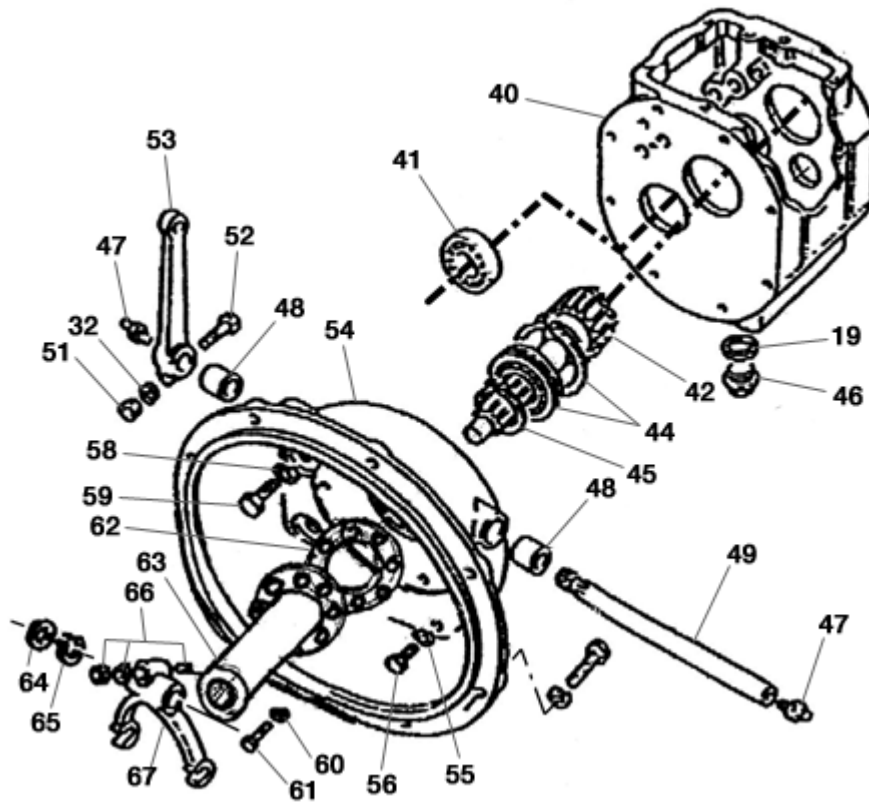
CLUTCH PEDAL

CHASSIS: 51738



| FIGURE | REFERENCE | DENOMINATION | AMOUNT |
|--------|--------------|------------------------------|--------|
| 001 | 65.03127.00 | RUBBER PANEL 80X37X5 | 1 |
| 002 | 65.03113.01 | CLUTCH PEDAL 287X224X85 | 1 |
| 003 | 70.05040.00 | SPRING TENSION 9.5X12X91 | 1 |
| 004 | 901.08000.33 | GREASER DIN71412-A M8x1,25 | 1 |
| 005 | 701.08000.66 | NUT DIN934 M8X1,25 | 1 |
| 006 | 603.08040.86 | SCREW DIN933 | 1 |
| 007 | 65.03114.00 | AXLE | 1 |
| 008 | 604.06045.86 | SCREW DIN931 M6x45 | 1 |
| 009 | 101.06000.66 | WASHER DIN125 D6 | 1 |
| 010 | 711.06000.66 | NUT DIN982 M6 | 1 |
| 011 | 15.00719.10 | ART. FORK | 1 |
| 012 | 401.02025.60 | PIN DIN94 2x25 | 2 |
| 013 | 01.00514.01 | AXLE CIL/CPA 14x8x28 | 1 |
| 014 | 65.03115.00 | AXLE | 1 |
| 015 | 65.03116.00 | ROD | 1 |
| 016 | 65.03117.00 | PIN 9,8x28 | 1 |
| 017 | 70.11302.00 | CLUTCH PROXIMATEY SWITCH M12 | 1 |

03. TRANSMISSION GEARBOX INT. (PART 1)

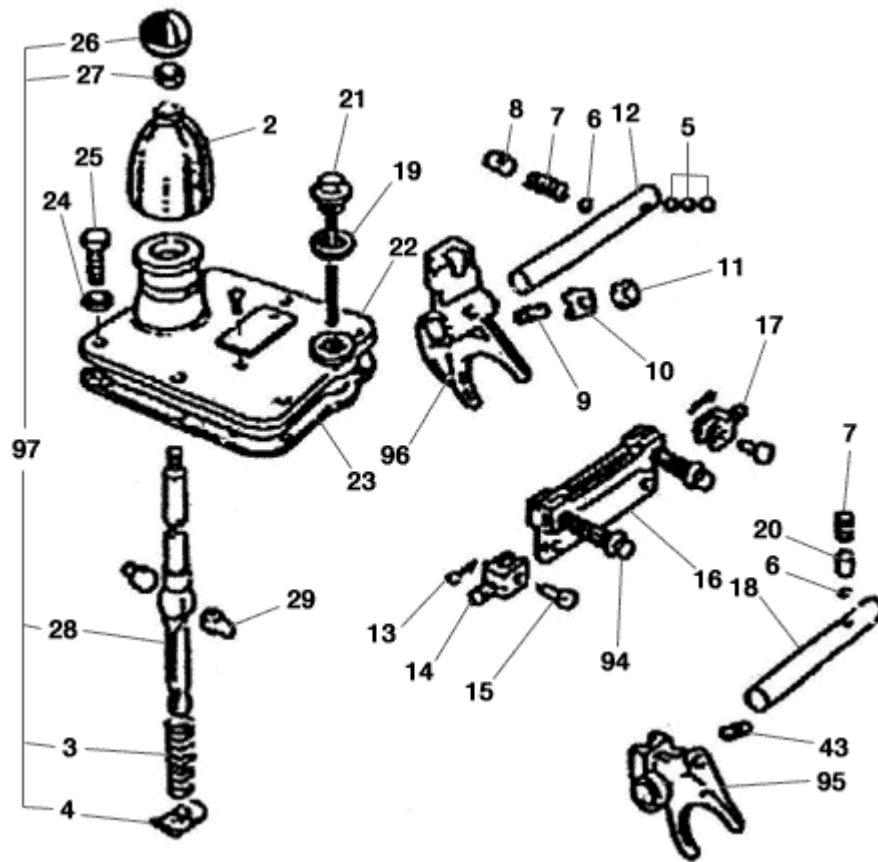


| FIGURE | REFERENCE | DENOMINATION | AMOUNT |
|--------|------------|--------------------|--------|
| 019 | NE0201714 | BONDED SEAL | 2 |
| 032 | NEW112 | WASHER | 2 |
| 040 | NE85M101 | GEAR CASE | 1 |
| 041 | NE0512030 | BEARING | 1 |
| 042 | NE85M905 | INPUT SHAFT | 1 |
| 044 | NE0514015 | BEARING | 1 |
| 045 | NE0330400 | CIRCLIP | 1 |
| 046 | NECP1189 | DRAIN & LEVEL PLUG | 1 |
| 047 | NECP1404 | NIPPLE 90 DEGREE | 2 |
| 048 | NECM2179 | BUSH | 2 |
| 049 | NE85M924 | CLUTCH SHAFT | 1 |
| 051 | NEUN501HTS | NUT | 1 |
| 052 | NEUBF91 | BOLT | 1 |
| 053 | NECM2090 | CLUTCH LEVER | 1 |
| 054 | NE85M920 | CLUTCH HOUSING | 1 |
| 055 | NE0191105 | SPRING WASHER | 2 |
| 056 | NE0040809 | SCREW | 2 |
| 058 | NE0191510 | NYLTITE WASHER M10 | 2 |

03. TRANSMISSION GEARBOX INT. (PART 1)

| FIGURE | REFERENCE | DENOMINATION | AMOUNT |
|--------|--------------|---------------------|--------|
| 059 | NE0041009 | SCREW M10 X 30 | 5 |
| 060 | NE1000/145 | NYLTITE WASHER M6 | 6 |
| 061 | NE0040607HTP | SCREW | 6 |
| 062 | NE85M931 | GUIDE TUBE GASKET | 1 |
| 063 | NE85M925S/A | GUIDE TUBE ASSEMBLY | 1 |
| 064 | NE40M398 | WASHER | 1 |
| 065 | NECP1006 | CIRCLIP | 1 |
| 066 | NECM2084S/A | COTTER PIN | 1 |
| 067 | NECM2765 | CLUTCH FORK | 1 |

03. TRANSMISSION INTERNAL TRANSMISSION (2)



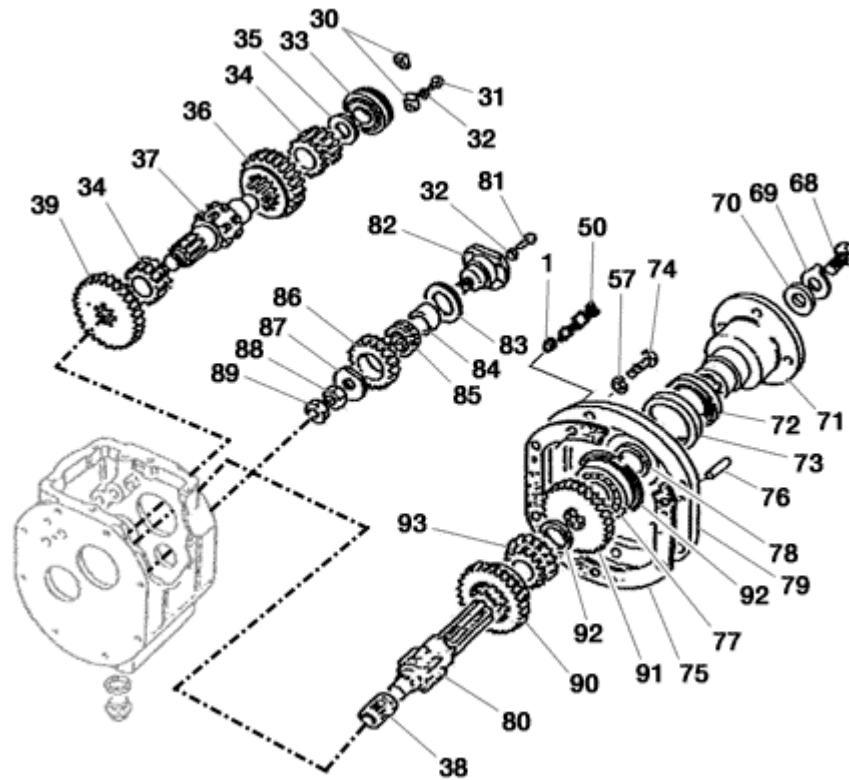
| FIGURE | REFERENCE | DENOMINATION | AMOUNT |
|--------|-----------|----------------------------|--------|
| 002 | NE40M129 | RUBBER COVER | 1 |
| 003 | NE40M367 | SPRING | 1 |
| 004 | NE40M245 | RETAINING PLATE | 1 |
| 005 | NE066M070 | STEEL BALL 7MM DIA | 3 |
| 006 | NECP1077 | DETENT BALL 3/8" DIA | 2 |
| 007 | NECM2103 | SPRING | 1 |
| 008 | NE014K716 | GRUB SCREW M12X16 LONG | 1 |
| 009 | NE014D516 | GRUB SCREW M8X16 LONG | 1 |
| 010 | NE70M820 | TAB WASHER | 1 |
| 011 | NE0050810 | NUT | 1 |
| 012 | NE70M819 | SELECTOR SHAFT (1ST & REV) | 1 |
| 013 | NE40M244 | SPLIT PIN | 2 |
| 014 | NE40M231 | INT. STUD | 1 |
| 015 | NE40M232 | CLEVIS PIN | 2 |
| 016 | NE85M895 | INTERLOCK PLATE | 1 |
| 017 | NE40M801 | INT. STUD | 1 |
| 018 | NE70M818 | SELECTOR SHAFT (2ND & 3RD) | 1 |
| 019 | NE0201714 | BONDED SEAL | 2 |

03. TRANSMISSION

INTERNAL TRANSMISSION (2)

| FIGURE | REFERENCE | DENOMINATION | AMOUNT |
|--------|-------------|-------------------------|--------|
| 020 | NE70M806 | SPACER | 1 |
| 021 | NE0800387 | DIPSTICK | 1 |
| 022 | NE40M220 | TOP COVER | 1 |
| 024 | NE0191104 | SPRING WASHER M6 | 6 |
| 025 | NE0040606 | SCREW M6 X 16 LONG | 6 |
| 027 | NEUN512 | NUT | 1 |
| 028 | NE85M938 | GEAR LEVER | 1 |
| 029 | NE40M254 | GEAR CHANGE PAD | 2 |
| 043 | NE014D530L | GRUB SCREW M8 X 30 | 1 |
| 094 | NE85M894S/A | INTERLOCK PLATE | 1 |
| 095 | NE85M899 | SELECTOR FORK 1ST & REV | 1 |
| 096 | NE85M898 | SELECTOR FORK 2ND & 3RD | 1 |
| 097 | NE85M938 | GEAR LEVER | 1 |

03. TRANSMISSION GEARBOX INT. (PART 3)

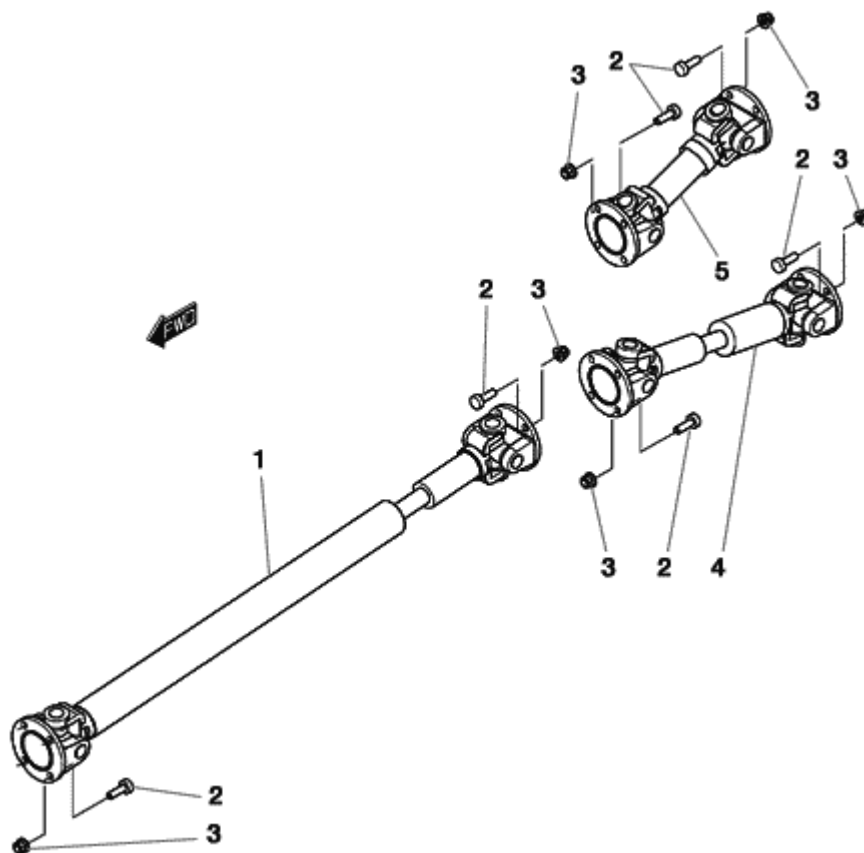


| FIGURE | REFERENCE | DENOMINATION | AMOUNT |
|--------|-------------|-----------------------|--------|
| 001 | NE0191712 | WASHER | 1 |
| 030 | NE85M823 | BEARING CLIP | 2 |
| 031 | NEUSF31 | SCREW | 2 |
| 032 | NEW112 | WASHER | 3 |
| 033 | NECP1377 | BEARING | 1 |
| 034 | NE85M114 | REVERSE SPEED GEAR | 2 |
| 035 | NE85M130 | SPACER | 1 |
| 036 | NE85M116 | SECOND SPEED SUN GEAR | 1 |
| 037 | NE85M118 | LAY SHAFT | 1 |
| 038 | NE0562002 | NEEDLE BEARING | 1 |
| 039 | NE85M360 | 1ST REDUCTION GEAR | 1 |
| 050 | NE85M940 | REVERSE LIGHT SWITCH | 1 |
| 057 | NE0191106 | SPRING WASHER M10 | 10 |
| 068 | NEUSF55 | SCREW | 1 |
| 069 | NECM2050 | TAB WASHER | 1 |
| 070 | NECM2123 | WASHER | 1 |
| 071 | NECM2538S/A | COUPLING | 1 |
| 072 | NECM2537 | DUST SHIELD | 1 |

03. TRANSMISSION GEARBOX INT. (PART 3)

| FIGURE | REFERENCE | DENOMINATION | AMOUNT |
|--------|-----------|------------------------|--------|
| 073 | NE40M167 | OIL SEAL | 1 |
| 074 | NE0041008 | BOLT M10 X 25 | 6 |
| 075 | NETR1100 | JOINT | 1 |
| 076 | NE022D405 | DOWEL | 2 |
| 077 | NECM2052 | BEARING | 1 |
| 078 | NE70M810 | SPACER | 1 |
| 079 | NE85M939 | END COVER | 1 |
| 080 | NE85M907 | MAIN SHAFT | 1 |
| 081 | NEUSF21 | SCREW | 4 |
| 082 | NE70M119 | IDLER SHAFT | 1 |
| 083 | NE0593001 | THRUST WASHER | 1 |
| 084 | NE0582501 | INNER RING INA | 1 |
| 085 | NE0563002 | NEEDLE BEARING | 1 |
| 086 | NE85M111 | REV. PINION | 1 |
| 087 | NE70M800 | WASHER IDLER | 1 |
| 088 | NEUN525 | NUT | 1 |
| 089 | NE0060802 | HEX LOCKNUT | 1 |
| 090 | NE85M115 | 1ST SPEED SLIDING GEAR | 1 |
| 091 | NE85M110 | OUTPUT GEAR | 1 |
| 092 | NE85M128 | SPACER | 1 |
| 093 | NE40M113 | 2ND SPEED GEAR | 1 |

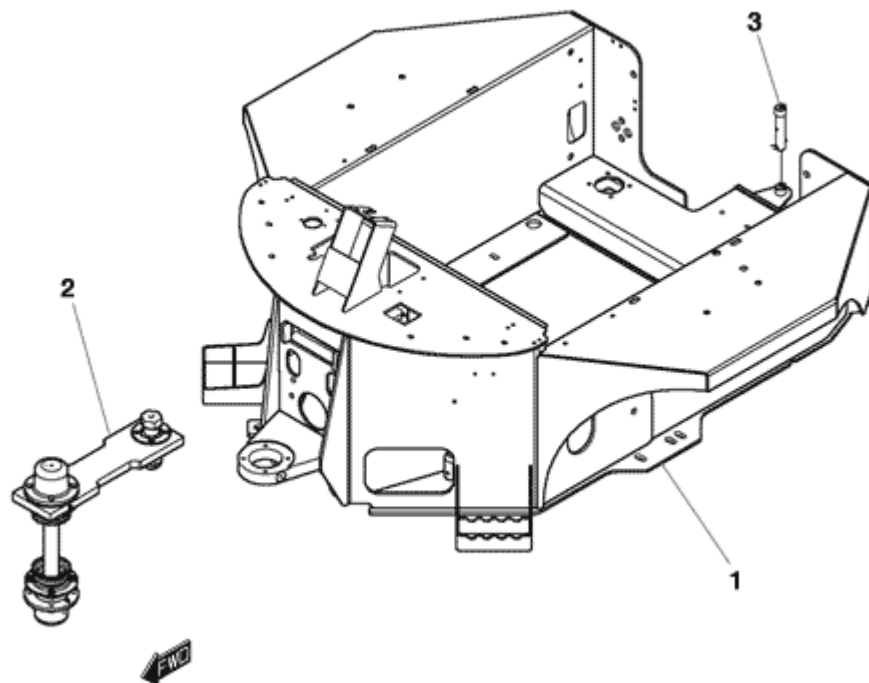
03. TRANSMISSION UNIVERSAL JOINT



| FIGURE | REFERENCE | DENOMINATION | AMOUNT |
|--------|--------------|----------------------------|--------|
| 001 | 65.03622.00 | CARDAN JOINT | 1 |
| 002 | 621.38029.80 | BOLT DIN912 W3/8x29 16 HIL | 24 |
| 003 | 731.38000.86 | NUT DIN985 W3/8 16H | 24 |
| 004 | 65.03623.00 | CARDAN JOINT | 1 |
| 005 | 65.03621.00 | CARDAN JOINT | 1 |

04. CHASSIS

CHASSIS (PART 1)

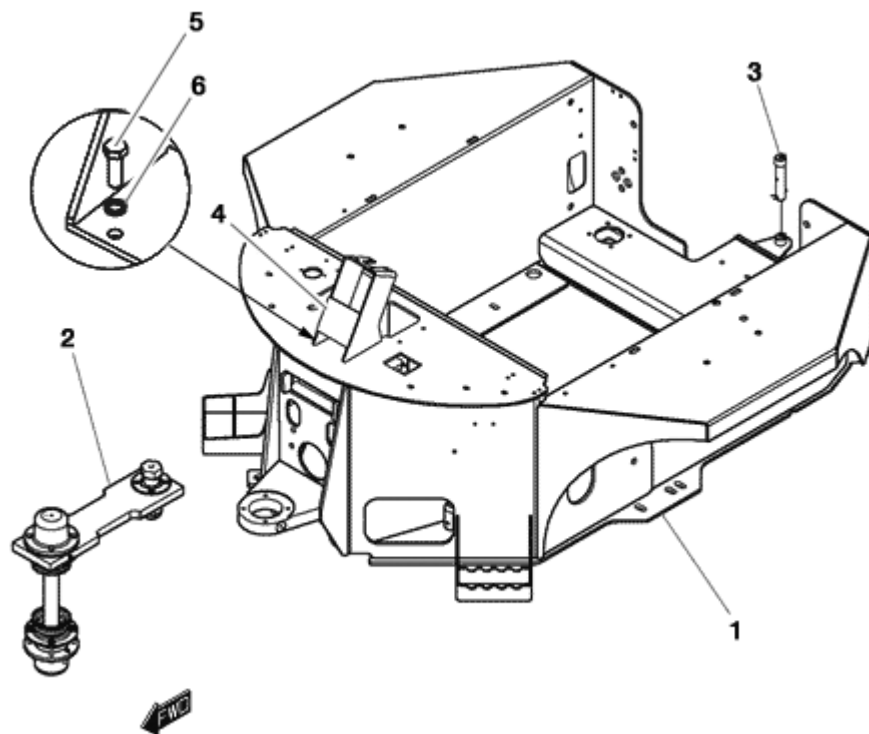


| FIGURE | REFERENCE | DENOMINATION | AMOUNT |
|--------|-------------|---------------------------|--------|
| 001 | 65.04102.00 | FRAME, REAR 1943x1860x889 | 1 |
| 002 | 65.04101.00 | FRAME | 1 |
| 003 | 15.08350.00 | SHAFT, FULL 25x30x135 | 1 |

04. CHASSIS

CHASSIS (PART 1)

CHASSIS: 50150

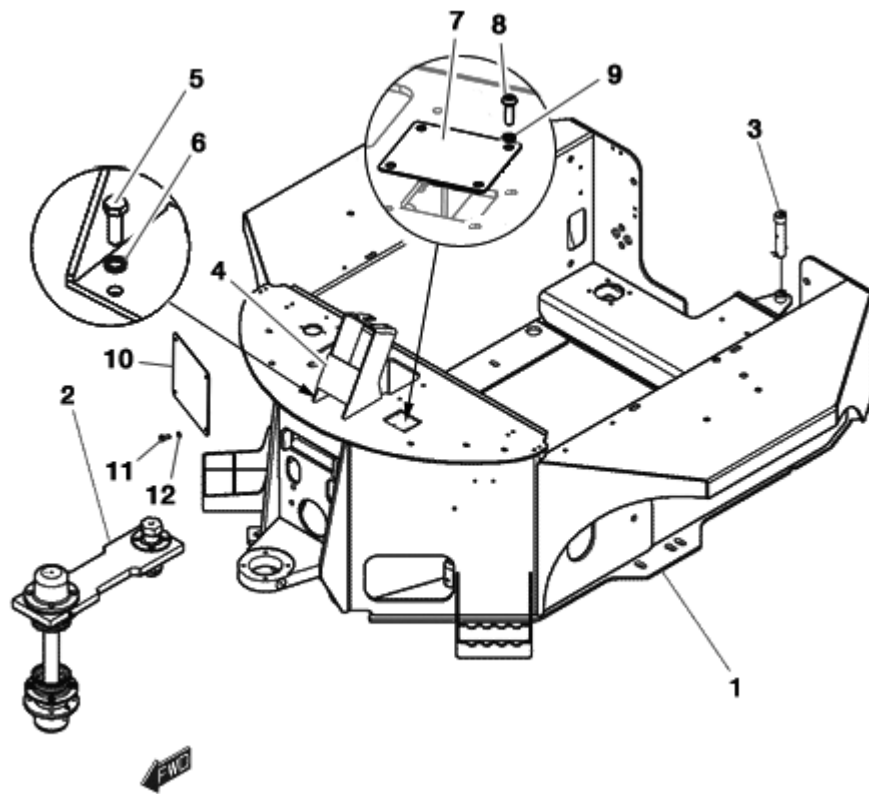


| FIGURE | REFERENCE | DENOMINATION | AMOUNT |
|--------|--------------|-------------------------------|--------|
| 001 | 65.04102.01 | FRAME, REAR 2054x1760x585 | 1 |
| 002 | 65.04101.00 | FRAME | 1 |
| 003 | 15.08350.00 | SHAFT, FULL 25x30x135 | 1 |
| 004 | 65.04179.01 | SUPPORT 255x131x117, STEERING | 1 |
| 005 | 603.08025.86 | SCREW DIN933 M8x25 | 4 |
| 006 | 104.08000.00 | WASHER DIN7980 D8 | 4 |

04. CHASSIS

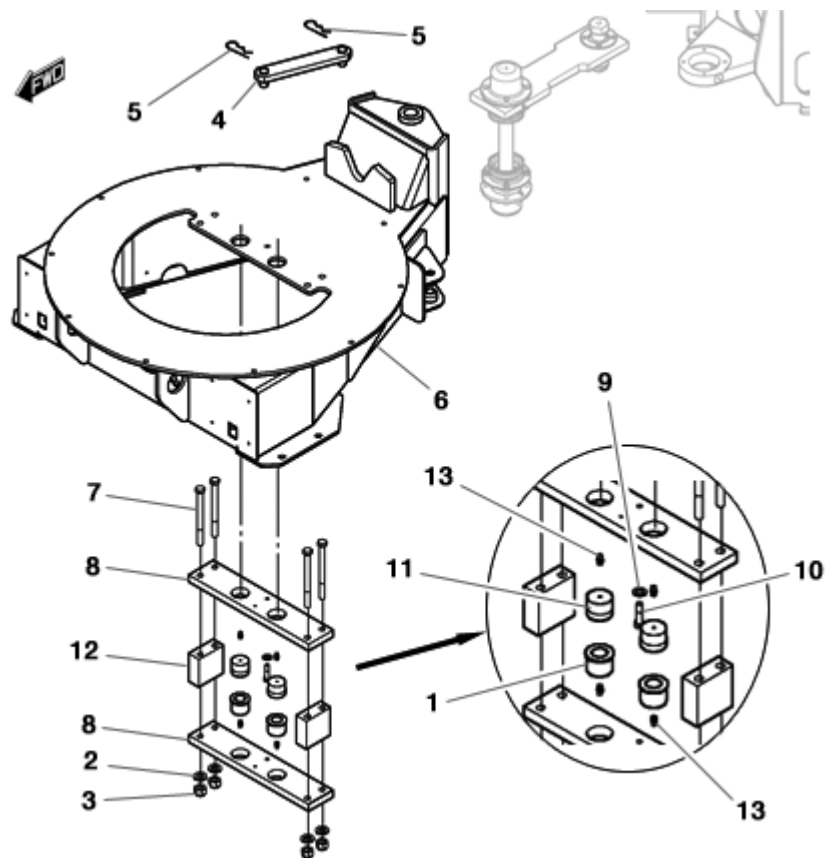
CHASSIS (PART 1)

CHASSIS: 51118



| FIGURE | REFERENCE | DENOMINATION | AMOUNT |
|--------|--------------|-------------------------------|--------|
| 001 | 65.04102.01 | FRAME, REAR 2054x1760x585 | 1 |
| 002 | 65.04101.00 | FRAME | 1 |
| 003 | 15.08350.00 | SHAFT, FULL 25x30x135 | 1 |
| 004 | 65.04179.01 | SUPPORT 255x131x117, STEERING | 1 |
| 005 | 603.08025.86 | SCREW DIN933 M8x25 | 4 |
| 006 | 104.08000.00 | WASHER DIN7980 D8 | 4 |
| 007 | 65.04188.00 | COVER 115x100x2 | 1 |
| 008 | 630.08025.96 | SCREW ISO7380 | 4 |
| 009 | 104.08000.00 | WASHER DIN7980 D8 | 4 |
| 010 | 65.04187.00 | COVER 180x144x2 | 1 |
| 011 | 630.06015.96 | SCREW ISO7380 M6x15 | 4 |
| 012 | 104.06000.00 | WASHER DIN7980 D6 | 4 |

04. CHASSIS CHASSIS (PART 2)

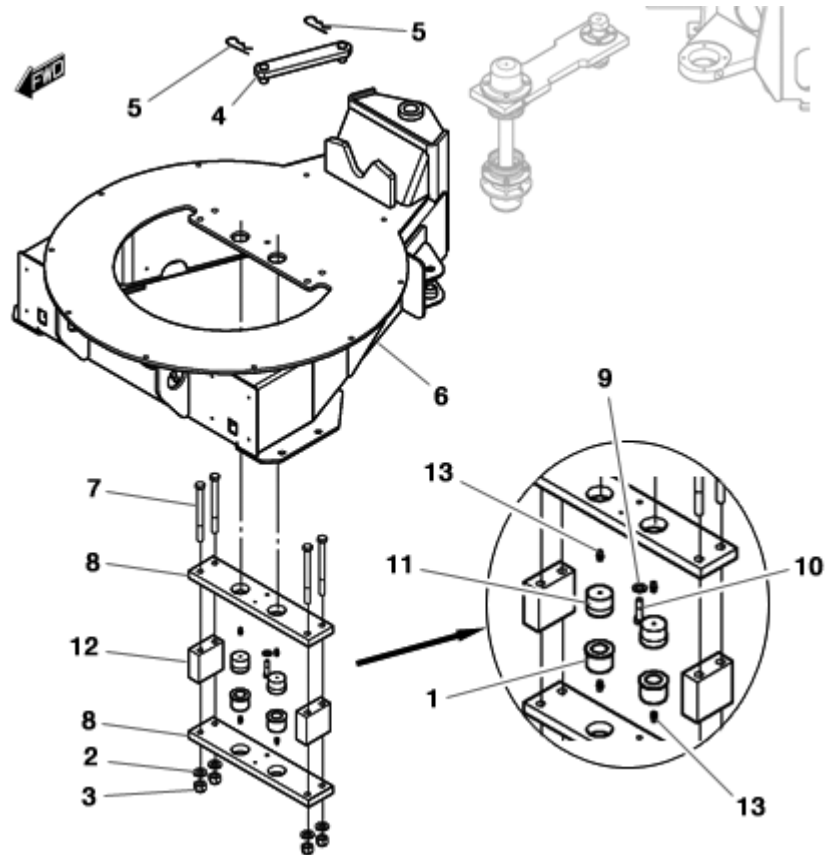


| FIGURE | REFERENCE | DENOMINATION | AMOUNT |
|--------|--------------|----------------------------|--------|
| 001 | 64.04228.00 | BUSHING 9,5x32x51 | 2 |
| 002 | 101.16000.66 | WASHER DIN125 D16 | 4 |
| 003 | 711.16000.66 | NUT DIN982 M16 8.8 K | 4 |
| 004 | 64.06223.00 | CON ROD 50x55x300 | 1 |
| 005 | 15.00836.02 | PIN | 2 |
| 006 | 65.04100.00 | FRAME, FRONT 1347x1087x440 | 1 |
| 007 | 604.16190.94 | BOLT DIN931 M16x190 12K | 4 |
| 008 | 64.04226.00 | SUPPORT 25x100x490, FIXING | 2 |
| 009 | 104.12000.00 | WASHER DIN7980 D12 | 1 |
| 010 | 604.12045.86 | SCREW DIN931 | 1 |
| 011 | 64.04229.00 | BUSHING 9,5x32x51 | 2 |
| 012 | 64.04227.00 | SUPPORT 50x100x100, FIXING | 2 |
| 013 | 901.08000.33 | GREASER DIN71412-A M8x1,25 | 4 |

04. CHASSIS

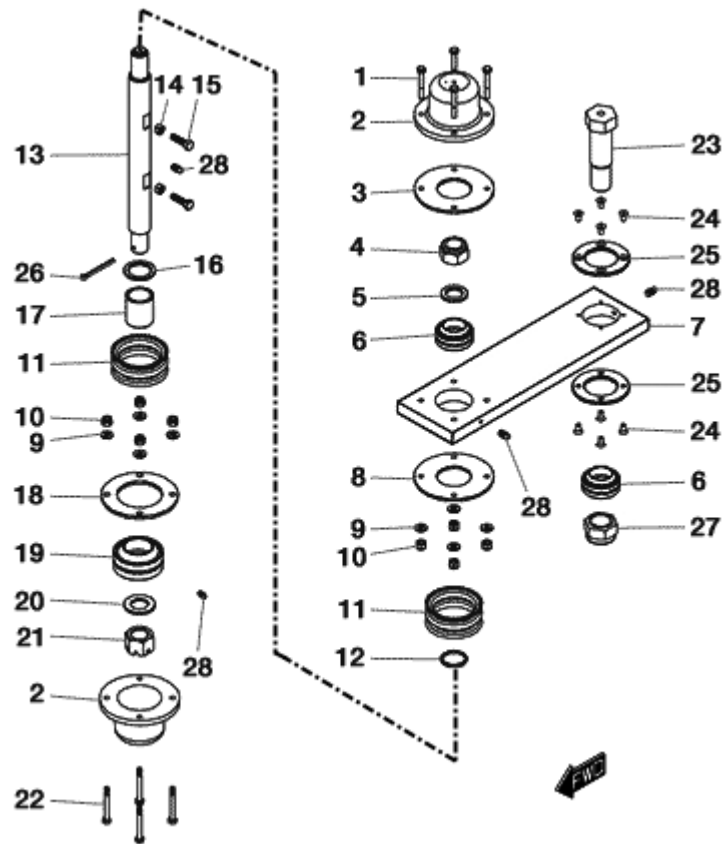
CHASSIS (PART 2)

CHASSIS: 48149



| FIGURE | REFERENCE | DENOMINATION | AMOUNT |
|--------|--------------|----------------------------|--------|
| 001 | 64.04228.00 | BUSHING 9,5x32x51 | 2 |
| 002 | 101.16000.66 | WASHER DIN125 D16 | 4 |
| 003 | 711.16000.66 | NUT DIN982 M16 8.8 K | 4 |
| 004 | 64.06223.00 | CON ROD 50x55x300 | 1 |
| 005 | 15.00836.02 | PIN | 2 |
| 006 | 65.04100.01 | FRAME, FRONT 1347x1087x440 | 1 |
| 007 | 604.16190.94 | BOLT DIN931 M16x190 12K | 4 |
| 008 | 64.04226.00 | SUPPORT 25x100x490, FIXING | 2 |
| 009 | 104.12000.00 | WASHER DIN7980 D12 | 1 |
| 010 | 604.12045.86 | SCREW DIN931 | 1 |
| 011 | 64.04229.01 | BUSHING 32x51x56 | 2 |
| 012 | 64.04227.00 | SUPPORT 50x100x100, FIXING | 2 |
| 013 | 901.08000.33 | GREASER DIN71412-A M8x1,25 | 4 |

04. CHASSIS CHASSIS AXLE



| FIGURE | REFERENCE | DENOMINATION | AMOUNT |
|--------|--------------|----------------------|--------|
| 001 | 604.08060.86 | SCREW DIN931 M8x60 | 4 |
| 002 | 64.06210.00 | COVER 82x145 | 2 |
| 003 | 65.04142.00 | COVER 145x5 | 1 |
| 004 | 720.30000.66 | NUT | 1 |
| 005 | 65.04148.00 | WASHER 31x48x5 | 1 |
| 006 | 941.40040.00 | BUSHING | 1 |
| 007 | 65.04141.01 | CON ROD 68x507 | 1 |
| 008 | 65.04142.00 | COVER 145x5 | 1 |
| 009 | 101.08000.66 | WASHER DIN125 D8 | 8 |
| 010 | 711.08000.66 | NUT DIN982 M8 | 8 |
| 011 | 64.06214.00 | DUST EXCLUDER 43x103 | 1 |
| 012 | 65.04146.00 | WASHER 41x48x5 | 1 |
| 013 | 65.04144.00 | AXLE | 1 |
| 014 | 701.08000.66 | NUT DIN934 M8X1,25 | 2 |
| 015 | 603.08030.86 | SCREW DIN933 M8X30 | 2 |
| 016 | 65.04149.00 | WASHER 41x57x4.5 | 1 |
| 017 | 65.04145.00 | BUSHING 40x50x56 | 1 |
| 018 | 65.04143.00 | COVER 140x6 | 1 |

04. CHASSIS

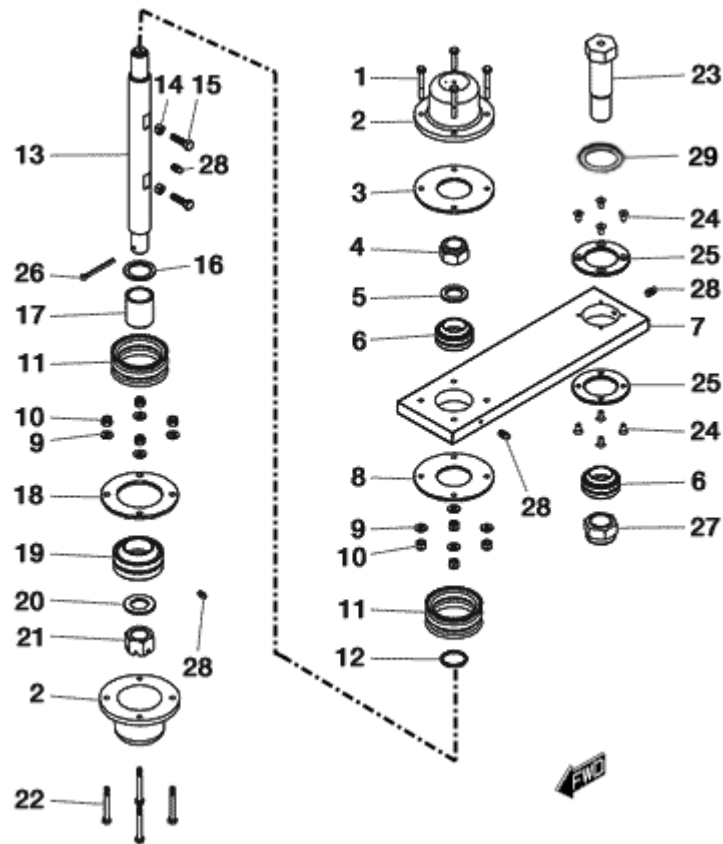
CHASSIS AXLE

| FIGURE | REFERENCE | DENOMINATION | AMOUNT |
|--------|--------------|--|--------|
| 019 | 941.50056.00 | BUSHING | 1 |
| 020 | 65.04147.00 | WASHER 31x57x4.5 | 1 |
| 021 | 703.30000.66 | NUT DIN935 M30x2 | 1 |
| 022 | 604.08070.86 | SCREW DIN931 | 4 |
| 023 | 64.06220.00 | AXLE | 1 |
| 024 | 618.08016.86 | FLAT HEAD SOCKET CAP SCREW DIN7991 M8x16 | 8 |
| 025 | 64.06219.00 | COVER 6x104 | 2 |
| 026 | 401.06070.60 | PIN DIN94 6x70 | 1 |
| 027 | 720.36000.86 | NUT DIN982 M36 | 1 |
| 028 | 901.08000.33 | GREASER DIN71412-A M8x1,25 | 2 |

04. CHASSIS

CHASSIS AXLE

CHASSIS: 50150



| FIGURE | REFERENCE | DENOMINATION | AMOUNT |
|--------|--------------|----------------------|--------|
| 001 | 604.08060.86 | SCREW DIN931 M8x60 | 4 |
| 002 | 64.06210.00 | COVER 82x145 | 2 |
| 003 | 65.04142.00 | COVER 145x5 | 1 |
| 004 | 720.30000.66 | NUT | 1 |
| 005 | 65.04148.00 | WASHER 31x48x5 | 1 |
| 006 | 941.40040.00 | BUSHING | 1 |
| 007 | 65.04141.01 | CON ROD 68x507 | 1 |
| 008 | 65.04142.00 | COVER 145x5 | 1 |
| 009 | 101.08000.66 | WASHER DIN125 D8 | 8 |
| 010 | 711.08000.66 | NUT DIN982 M8 | 8 |
| 011 | 64.06214.00 | DUST EXCLUDER 43x103 | 1 |
| 012 | 65.04146.00 | WASHER 41x48x5 | 1 |
| 013 | 65.04144.00 | AXLE | 1 |
| 014 | 701.08000.66 | NUT DIN934 M8X1,25 | 2 |
| 015 | 603.08030.86 | SCREW DIN933 M8X30 | 2 |
| 016 | 65.04149.00 | WASHER 41x57x4.5 | 1 |
| 017 | 65.04145.00 | BUSHING 40x50x56 | 1 |
| 018 | 65.04143.00 | COVER 140x6 | 1 |

04. CHASSIS

CHASSIS AXLE

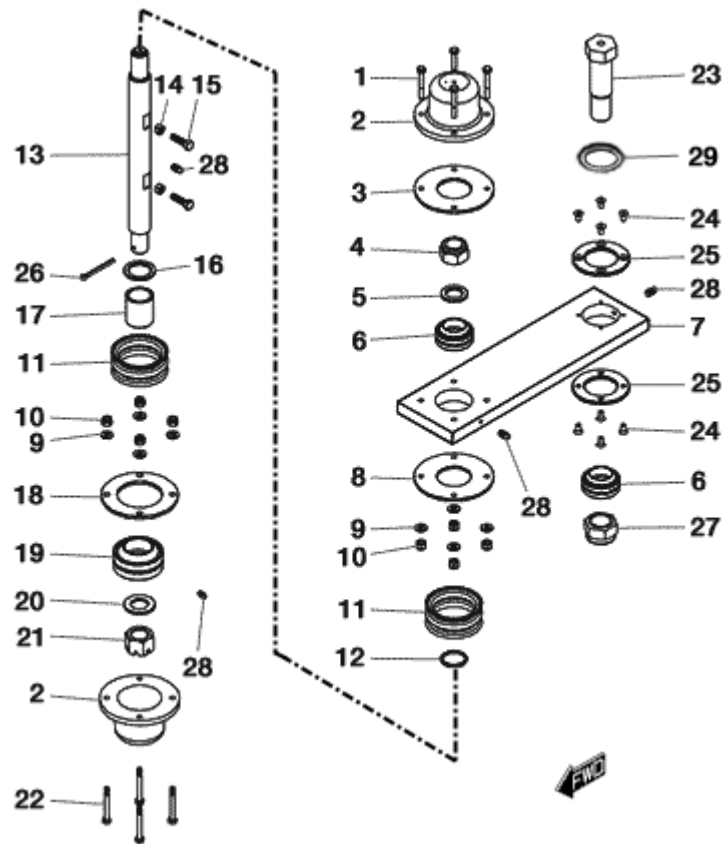
CHASSIS: 50150

| FIGURE | REFERENCE | DENOMINATION | AMOUNT |
|--------|--------------|--|--------|
| 019 | 941.50056.00 | BUSHING | 1 |
| 020 | 65.04147.00 | WASHER 31x57x4.5 | 1 |
| 021 | 703.30000.66 | NUT DIN935 M30x2 | 1 |
| 022 | 604.08070.86 | SCREW DIN931 | 4 |
| 023 | 64.06220.01 | AXLE 50X36X171 | 1 |
| 024 | 618.08016.86 | FLAT HEAD SOCKET CAP SCREW DIN7991 M8x16 | 8 |
| 025 | 64.06219.00 | COVER 6x104 | 2 |
| 026 | 401.06070.60 | PIN DIN94 6x70 | 1 |
| 027 | 720.36000.86 | NUT DIN982 M36 | 1 |
| 028 | 901.08000.33 | GREASER DIN71412-A M8x1,25 | 2 |
| 029 | 101.36000.66 | WASHER DIN125 | 1 |

04. CHASSIS

CHASSIS AXLE

BASTIDOR: 60284



| FIGURA | REFERENCIA | DENOMINACIÓN | CANTIDAD |
|--------|--------------|----------------------|----------|
| 001 | 604.08060.86 | SCREW DIN931 M8x60 | 4 |
| 002 | 64.06210.00 | COVER 82x145 | 2 |
| 003 | 65.04142.00 | COVER 145x5 | 1 |
| 004 | 720.30000.66 | NUT | 1 |
| 005 | 65.04148.00 | WASHER 31x48x5 | 1 |
| 006 | 941.40040.00 | BUSHING | 1 |
| 007 | 65.04141.01 | CON ROD 68x507 | 1 |
| 008 | 65.04142.00 | COVER 145x5 | 1 |
| 009 | 101.08000.66 | WASHER DIN125 D8 | 8 |
| 010 | 711.08000.66 | NUT DIN982 M8 | 8 |
| 011 | 64.06214.00 | DUST EXCLUDER 43x103 | 1 |
| 012 | 65.04146.00 | WASHER 41x48x5 | 1 |
| 013 | 65.04144.00 | AXLE | 1 |
| 014 | 701.08000.66 | NUT DIN934 M8X1,25 | 2 |
| 015 | 603.08030.86 | SCREW DIN933 M8X30 | 2 |
| 016 | 65.04149.00 | WASHER 41x57x4.5 | 1 |
| 017 | 65.04145.00 | BUSHING 40x50x56 | 1 |
| 018 | 65.04143.00 | COVER 140x6 | 1 |

04. CHASSIS

CHASSIS AXLE

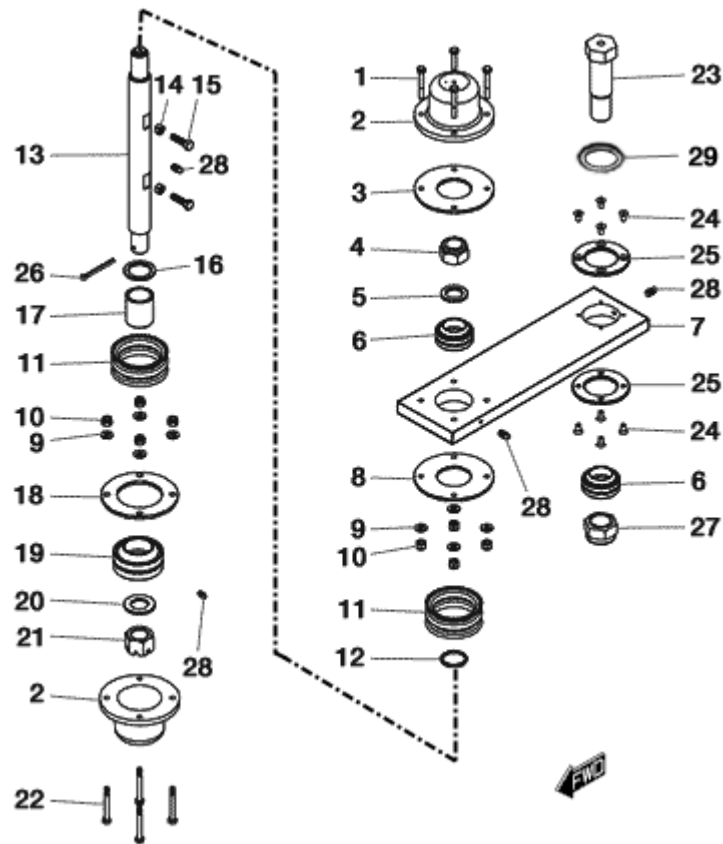
BASTIDOR: 60284

| FIGURA | REFERENCIA | DENOMINACIÓN | CANTIDAD |
|--------|--------------|--|----------|
| 019 | 941.50056.01 | BUSHING GE50FO 2RS-2C | 1 |
| 020 | 65.04147.00 | WASHER 31x57x4.5 | 1 |
| 021 | 703.30000.66 | NUT DIN935 M30x2 | 1 |
| 022 | 604.08070.86 | SCREW DIN931 | 4 |
| 023 | 64.06220.01 | AXLE 50X36X171 | 1 |
| 024 | 618.08016.86 | FLAT HEAD SOCKET CAP SCREW DIN7991 M8x16 | 8 |
| 025 | 64.06219.00 | COVER 6x104 | 2 |
| 026 | 401.06070.60 | PIN DIN94 6x70 | 1 |
| 027 | 720.36000.86 | NUT DIN982 M36 | 1 |
| 028 | 901.08000.33 | GREASER DIN71412-A M8x1,25 | 2 |
| 029 | 101.36000.66 | WASHER DIN125 | 1 |

04. CHASSIS

CHASSIS AXLE

BASTIDOR: 60554



| FIGURA | REFERENCIA | DENOMINACIÓN | CANTIDAD |
|--------|--------------|-----------------------|----------|
| 001 | 604.08060.86 | SCREW DIN931 M8x60 | 4 |
| 002 | 64.06210.00 | COVER 82x145 | 2 |
| 003 | 65.04142.00 | COVER 145x5 | 1 |
| 004 | 720.30000.66 | NUT | 1 |
| 005 | 65.04148.00 | WASHER 31x48x5 | 1 |
| 006 | 941.40040.01 | BUSHING GE40FO 2RS-C2 | 1 |
| 007 | 65.04141.01 | CON ROD 68x507 | 1 |
| 008 | 65.04142.00 | COVER 145x5 | 1 |
| 009 | 101.08000.66 | WASHER DIN125 D8 | 8 |
| 010 | 711.08000.66 | NUT DIN982 M8 | 8 |
| 011 | 64.06214.00 | DUST EXCLUDER 43x103 | 1 |
| 012 | 65.04146.00 | WASHER 41x48x5 | 1 |
| 013 | 65.04144.00 | AXLE | 1 |
| 014 | 701.08000.66 | NUT DIN934 M8X1,25 | 2 |
| 015 | 603.08030.86 | SCREW DIN933 M8X30 | 2 |
| 016 | 65.04149.00 | WASHER 41x57x4.5 | 1 |
| 017 | 65.04145.00 | BUSHING 40x50x56 | 1 |
| 018 | 65.04143.00 | COVER 140x6 | 1 |

04. CHASSIS

CHASSIS AXLE

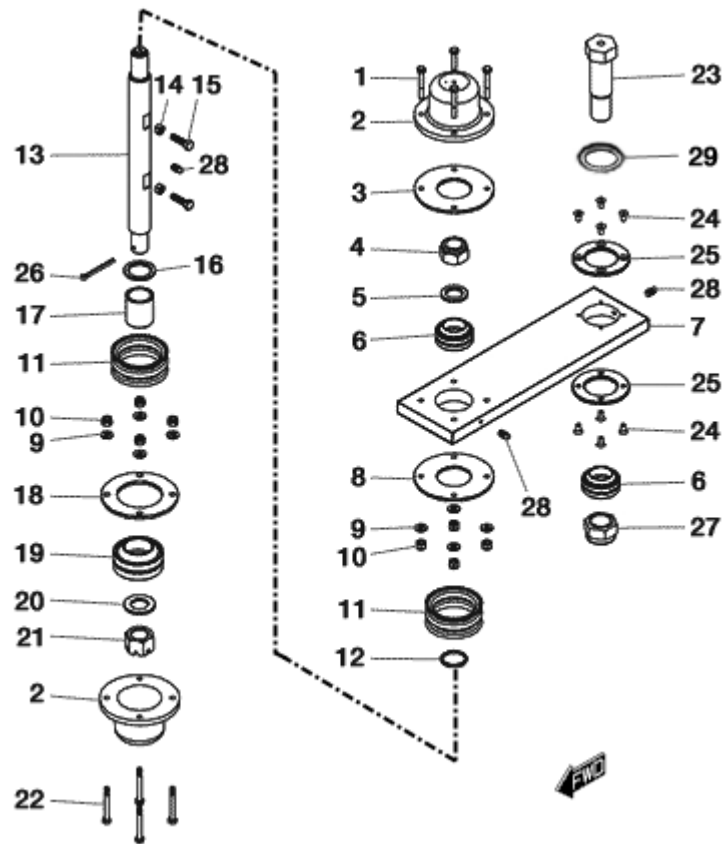
BASTIDOR: 60554

| FIGURA | REFERENCIA | DENOMINACIÓN | CANTIDAD |
|--------|--------------|--|----------|
| 019 | 941.50056.01 | BUSHING GE50FO 2RS-2C | 1 |
| 020 | 65.04147.00 | WASHER 31x57x4.5 | 1 |
| 021 | 703.30000.66 | NUT DIN935 M30x2 | 1 |
| 022 | 604.08070.86 | SCREW DIN931 | 4 |
| 023 | 64.06220.01 | AXLE 50X36X171 | 1 |
| 024 | 618.08016.86 | FLAT HEAD SOCKET CAP SCREW DIN7991 M8x16 | 8 |
| 025 | 64.06219.00 | COVER 6x104 | 2 |
| 026 | 401.06070.60 | PIN DIN94 6x70 | 1 |
| 027 | 720.36000.86 | NUT DIN982 M36 | 1 |
| 028 | 901.08000.33 | GREASER DIN71412-A M8x1,25 | 2 |
| 029 | 101.36000.66 | WASHER DIN125 | 1 |

04. CHASSIS

CHASSIS AXLE

BASTIDOR: 66624



| FIGURA | REFERENCIA | DENOMINACIÓN | CANTIDAD |
|--------|--------------|-----------------------|----------|
| 001 | 604.08060.86 | SCREW DIN931 M8x60 | 4 |
| 002 | 64.06210.01 | COVER 82X145 | 2 |
| 003 | 65.04142.00 | COVER 145x5 | 1 |
| 004 | 720.30000.66 | NUT | 1 |
| 005 | 65.04148.00 | WASHER 31x48x5 | 1 |
| 006 | 941.40040.01 | BUSHING GE40FO 2RS-C2 | 1 |
| 007 | 65.04141.01 | CON ROD 68x507 | 1 |
| 008 | 65.04142.00 | COVER 145x5 | 1 |
| 009 | 101.08000.66 | WASHER DIN125 D8 | 8 |
| 010 | 711.08000.66 | NUT DIN982 M8 | 8 |
| 011 | 64.06214.00 | DUST EXCLUDER 43x103 | 1 |
| 012 | 65.04146.00 | WASHER 41x48x5 | 1 |
| 013 | 65.04144.00 | AXLE | 1 |
| 014 | 701.08000.66 | NUT DIN934 M8X1,25 | 2 |
| 015 | 603.08030.86 | SCREW DIN933 M8X30 | 2 |
| 016 | 65.04149.00 | WASHER 41x57x4.5 | 1 |
| 017 | 65.04145.00 | BUSHING 40x50x56 | 1 |
| 018 | 65.04143.00 | COVER 140x6 | 1 |

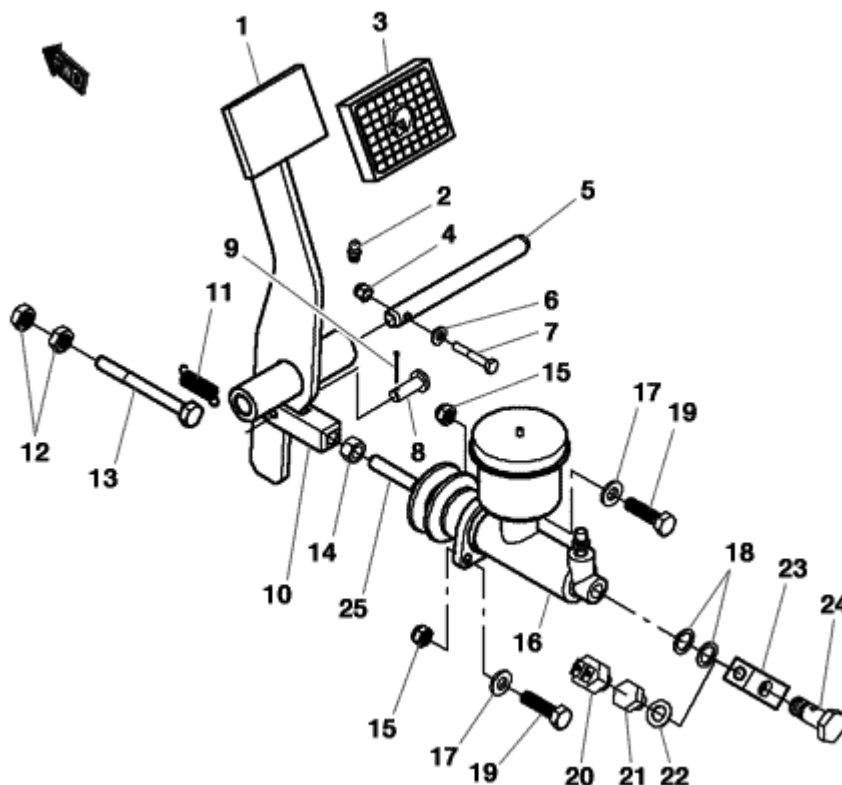
04. CHASSIS

CHASSIS AXLE

BASTIDOR: 66624

| FIGURA | REFERENCIA | DENOMINACIÓN | CANTIDAD |
|--------|--------------|--|----------|
| 019 | 941.50056.01 | BUSHING GE50FO 2RS-2C | 1 |
| 020 | 65.04147.00 | WASHER 31x57x4.5 | 1 |
| 021 | 703.30000.66 | NUT DIN935 M30x2 | 1 |
| 022 | 604.08070.86 | SCREW DIN931 | 4 |
| 023 | 64.06220.01 | AXLE 50X36X171 | 1 |
| 024 | 618.08016.86 | FLAT HEAD SOCKET CAP SCREW DIN7991 M8x16 | 8 |
| 025 | 64.06219.00 | COVER 6x104 | 2 |
| 026 | 401.06070.60 | PIN DIN94 6x70 | 1 |
| 027 | 720.36000.86 | NUT DIN982 M36 | 1 |
| 029 | 101.36000.66 | WASHER DIN125 | 1 |

05. BRAKE ACTIVATION FOOT BRAKE

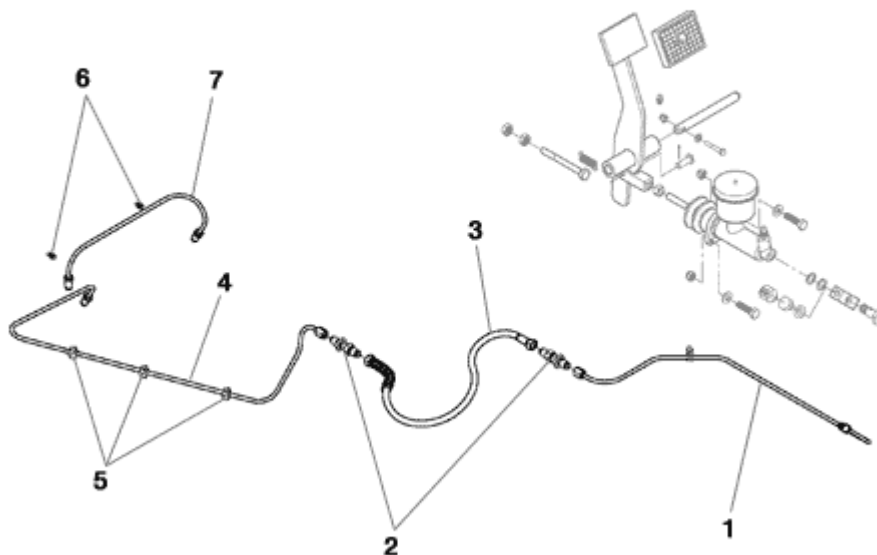


| FIGURA | REFERENCIA | DENOMINACIÓN | CANTIDAD |
|--------|--------------|----------------------------|----------|
| 001 | 65.05111.00 | PEDAL, BRAKE | 1 |
| 002 | 901.08000.33 | GREASER DIN71412-A M8x1,25 | 1 |
| 003 | 43.07310.01 | PANEL | 1 |
| 004 | 711.06000.66 | NUT DIN982 M6 | 1 |
| 005 | 65.05113.00 | SHAFT CYL/CYL 15x152 | 1 |
| 006 | 101.06000.66 | WASHER DIN125 D6 | 1 |
| 007 | 604.06040.86 | SCREW DIN931 M6x40 | 1 |
| 008 | 01.00514.02 | AXLE CIL/CPA | 1 |
| 009 | 401.02025.60 | PIN DIN94 2x25 | 1 |
| 010 | 01.00564.01 | ART. FORK | 1 |
| 011 | 01.00139.00 | SPRING TENSION | 1 |
| 012 | 701.10000.66 | NUT DIN934 M10x1.5 | 2 |
| 013 | 604.10100.86 | SCREW DIN931 | 1 |
| 014 | 01.01304.00 | NUT | 1 |
| 015 | 711.08000.66 | NUT DIN982 M8 | 2 |
| 016 | 65.05119.00 | FOOTPUMP 1 1-16 36,5 | 1 |
| 017 | 101.08000.66 | WASHER DIN125 D8 | 2 |
| 018 | 106.12000.20 | WASHER CU | 2 |

05. BRAKE ACTIVATION FOOT BRAKE

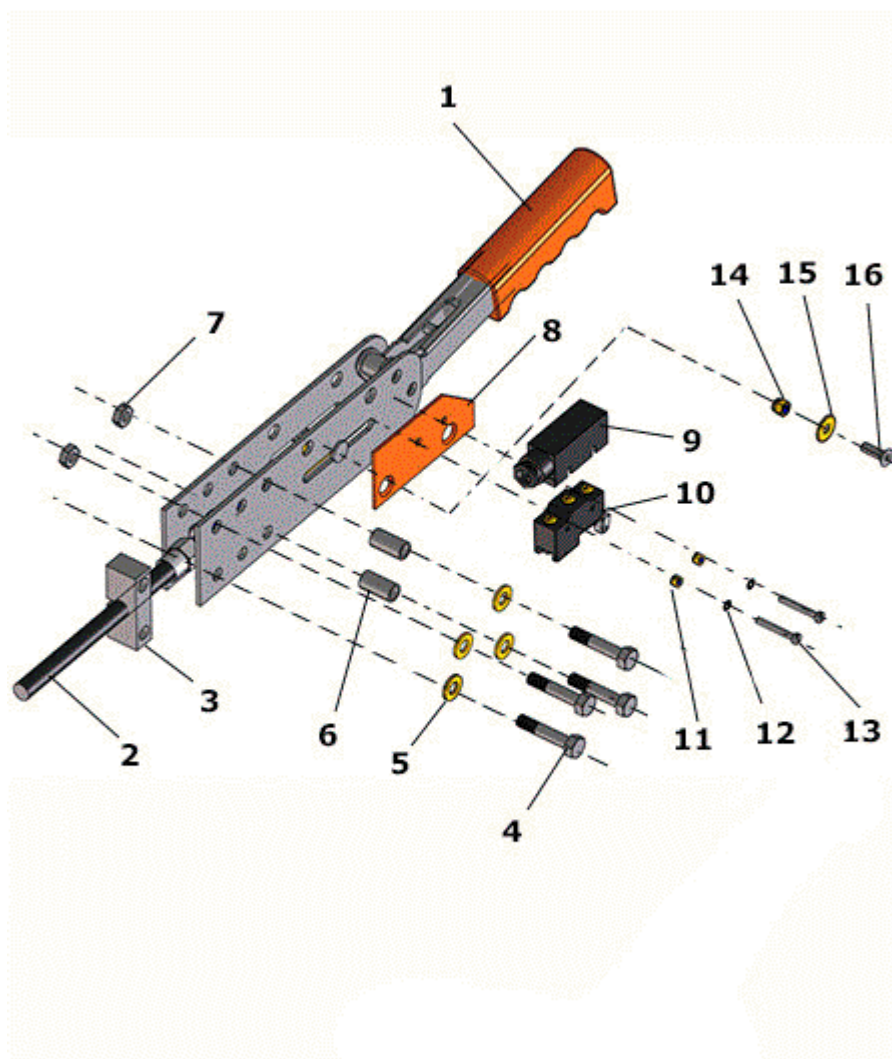
| FIGURA | REFERENCIA | DENOMINACIÓN | CANTIDAD |
|--------|--------------|--------------------|----------|
| 019 | 603.08025.86 | SCREW DIN933 M8x25 | 2 |
| 020 | 43.01520.00 | BRAKE FLUID SWITCH | 1 |
| 021 | 80.01090.00 | CAP | 1 |
| 022 | 107.10000.10 | WASHER AL | 1 |
| 023 | 55.00758.00 | NIPPLE | 1 |
| 024 | 55.00757.20 | NIPPLE SCREW SIM. | 1 |
| 025 | 43.00576.11 | ROD STRAIGHT R7/16 | 1 |

05. BRAKE ACTIVATION TUBES



| FIGURA | REFERENCIA | DENOMINACIÓN | CANTIDAD |
|--------|--------------|--|----------|
| 001 | 65.05116.00 | HYDRAULIC STEEL PIPE, BUNDY 4 524X149,5X81 | 1 |
| 002 | 64.05123.00 | FITTING M/M | 2 |
| 004 | 65.05115.00 | HYDRAULIC STEEL PIPE, BUNDY 4 816X321X248 | 1 |
| 005 | 929.05000.00 | TUBE GUIDE SUPPORT | 4 |
| 006 | 901.06000.33 | GREASER DIN71412-A | 2 |
| 007 | 65.05114.00 | HYDRAULIC STEEL PIPE, BUNDY 4 285X75X38 | 1 |

05. BRAKE ACTIVATION HANDBRAKE (PART 1)



| FIGURA | REFERENCIA | DENOMINACIÓN | CANTIDAD |
|--------|--------------|-------------------------------|----------|
| 001 | 43.00755.01 | CONTROL LEVER | 1 |
| 002 | 65.05211.00 | (NEWAGE) BRAKE CABLE | 1 |
| 003 | 43.00755.12 | STRIP SUPPORT | 1 |
| 004 | 604.08040.86 | SCREW DIN931 | 4 |
| 005 | 104.08000.00 | WASHER DIN7980 D8 | 4 |
| 006 | 43.00758.01 | ACC. FORK | 3 |
| 007 | 701.08000.66 | NUT DIN934 M8X1,25 | 4 |
| 008 | 60.00781.00 | SUPPORT PLATE | 1 |
| 009 | 60.00783.00 | OMRON PROTECCION MICRO APB-PG | 1 |
| 010 | 60.00782.02 | SWITCH Z-15GW2_EFA | 1 |
| 011 | 711.04000.66 | NUT | 2 |
| 012 | 101.04000.66 | WASHER DIN125 D4 | 2 |
| 013 | 615.04030.66 | SCREW DIN84 | 2 |
| 014 | 711.06000.66 | NUT DIN982 M6 | 2 |
| 015 | 112.06000.66 | WASHER DIN9021 D6 | 2 |

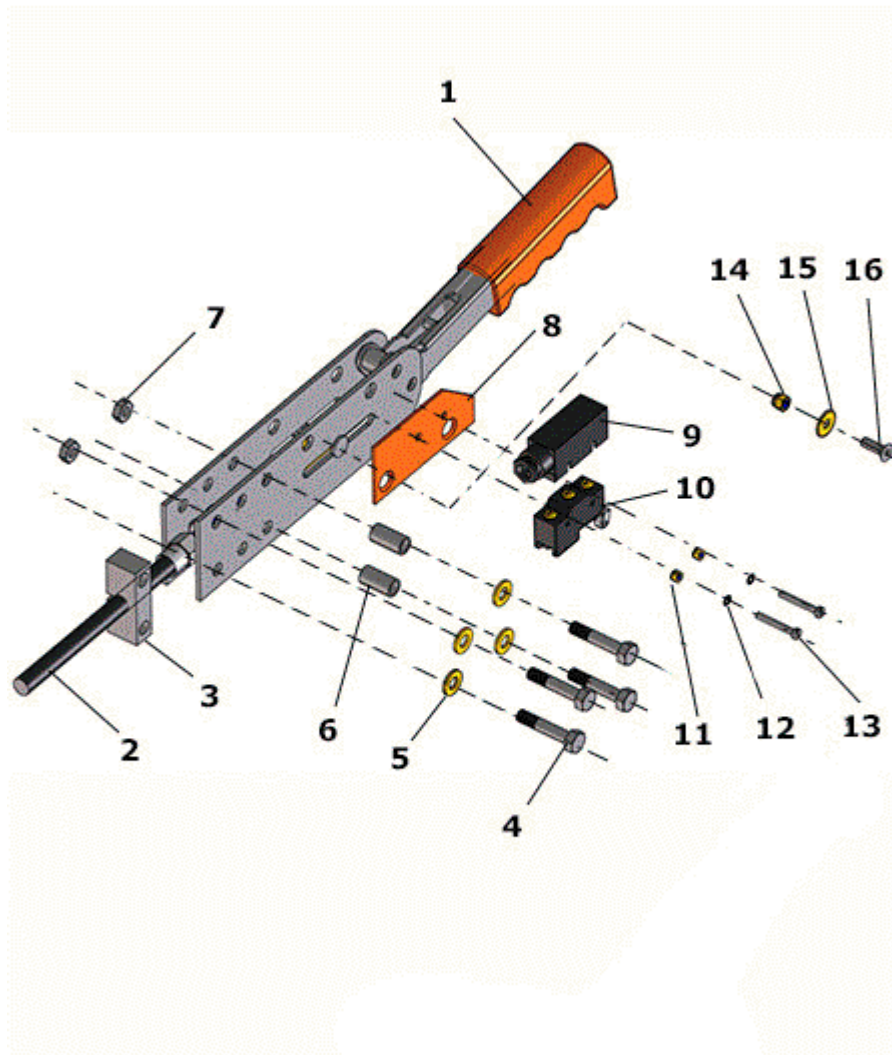
016

618.06015.86

SCREW DIN7991

2

05. BRAKE ACTIVATION HANDBRAKE (PART 1) BASTIDOR: 57852



| FIGURA | REFERENCIA | DENOMINACIÓN | CANTIDAD |
|--------|--------------|-------------------------------|----------|
| 001 | 43.00755.01 | CONTROL LEVER | 1 |
| 002 | 65.05211.02 | BRAKE CABLE 4x3250 | 1 |
| 003 | 43.00755.12 | STRIP SUPPORT | 1 |
| 004 | 604.08040.86 | SCREW DIN931 | 4 |
| 005 | 104.08000.00 | WASHER DIN7980 D8 | 4 |
| 006 | 43.00758.01 | ACC. FORK | 3 |
| 007 | 701.08000.66 | NUT DIN934 M8X1,25 | 4 |
| 008 | 60.00781.00 | SUPPORT PLATE | 1 |
| 009 | 60.00783.00 | OMRON PROTECCION MICRO APB-PG | 1 |
| 010 | 60.00782.02 | SWITCH Z-15GW2_EFA | 1 |
| 011 | 711.04000.66 | NUT | 2 |
| 012 | 101.04000.66 | WASHER DIN125 D4 | 2 |
| 013 | 615.04030.66 | SCREW DIN84 | 2 |
| 014 | 711.06000.66 | NUT DIN982 M6 | 2 |

| | | | |
|-----|--------------|-------------------|---|
| 015 | 112.06000.66 | WASHER DIN9021 D6 | 2 |
| 016 | 618.06015.86 | SCREW DIN7991 | 2 |

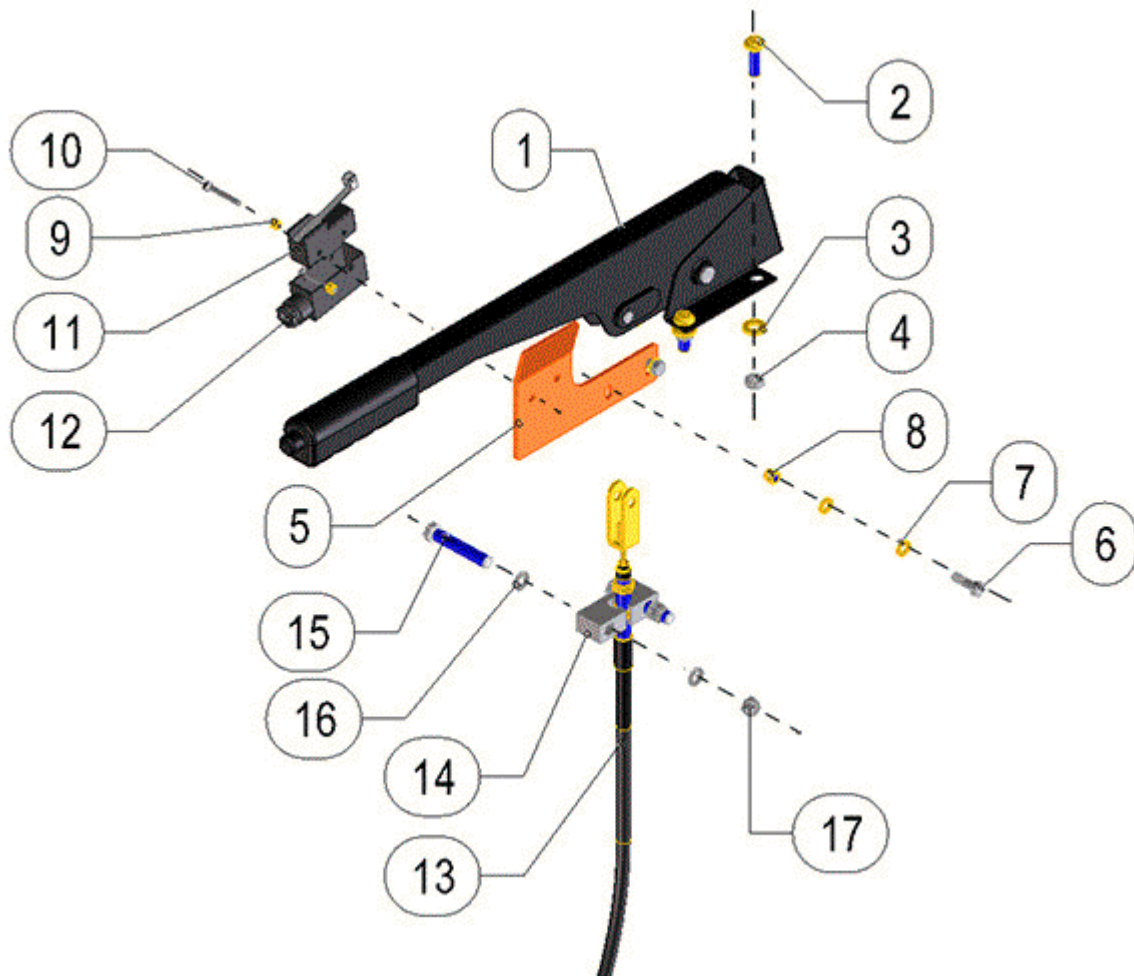
OBSERVACIONES

MOD.3643 SUSTITUCION PALANCAS DE FRENO

05. BRAKE ACTIVATION

HANDBRAKE (PART 1)

BASTIDOR: 63087



| FIGURA | REFERENCIA | DENOMINACIÓN | CANTIDAD |
|--------|--------------|-------------------------------|----------|
| 001 | 63.05201.00 | LEVER, HANDBRAKE | 1 |
| 002 | 630.08025.96 | SCREW ISO7380 | 4 |
| 003 | 101.08000.66 | WASHER DIN125 D8 | 4 |
| 004 | 701.08000.66 | NUT DIN934 M8X1,25 | 4 |
| 005 | 64.05131.00 | SUPPORT 140x3 | 1 |
| 006 | 603.08020.86 | SCREW DIN933 M8x20 | 2 |
| 007 | 101.06000.66 | WASHER DIN125 D6 | 4 |
| 008 | 711.06000.66 | NUT DIN982 M6 | 2 |
| 009 | 711.04000.66 | NUT | 2 |
| 010 | 604.08050.86 | SCREW DIN931 | 2 |
| 011 | 60.00782.00 | SWITCH | 1 |
| 012 | 60.00783.00 | OMRON PROTECCION MICRO APB-PG | 1 |
| 013 | 65.05211.02 | BRAKE CABLE 4x3250 | 1 |
| 014 | 43.00755.13 | SUPPORT 15x23x64 | 1 |
| 015 | 604.08050.86 | SCREW DIN931 | 2 |
| 016 | 101.08000.66 | WASHER DIN125 D8 | 2 |

017

711.08000.66

NUT DIN982 M8

2

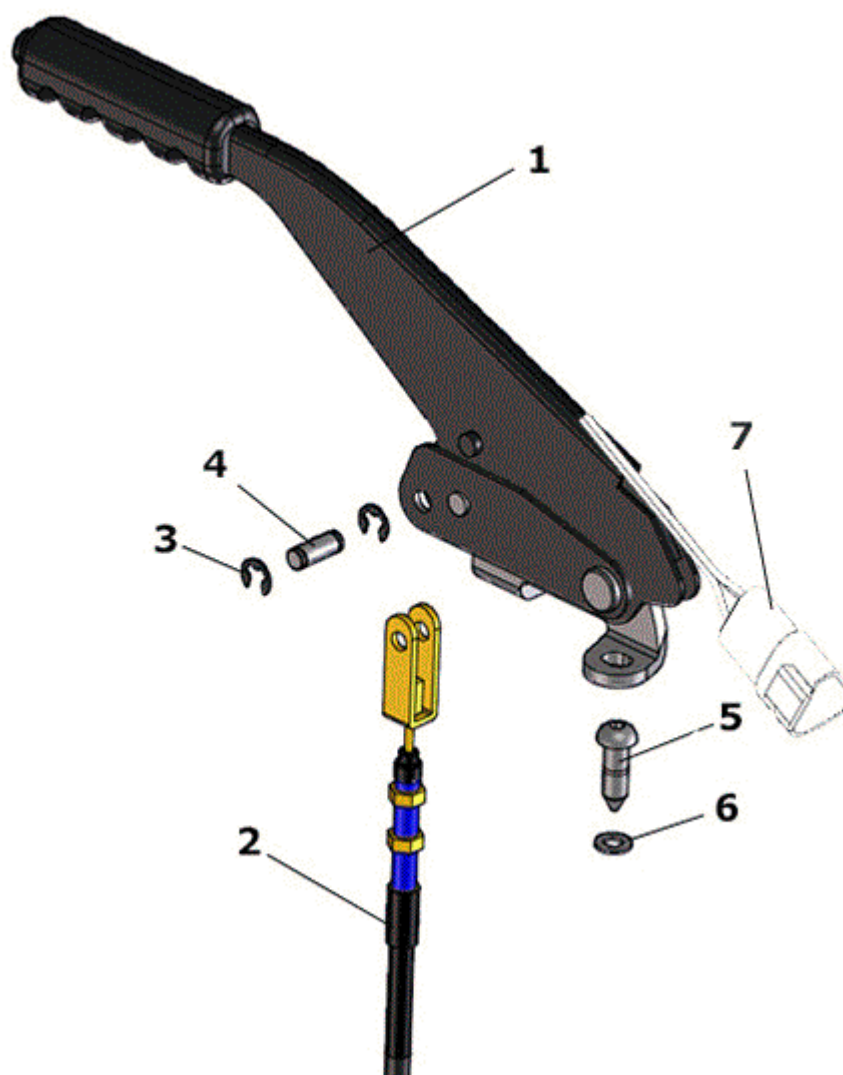
OBSERVACIONES

MOD.3644: SUSTITUCION PALANCA FRENO DE MANO

05. BRAKE ACTIVATION

HANDBRAKE (PART 1)

BASTIDOR: 63607

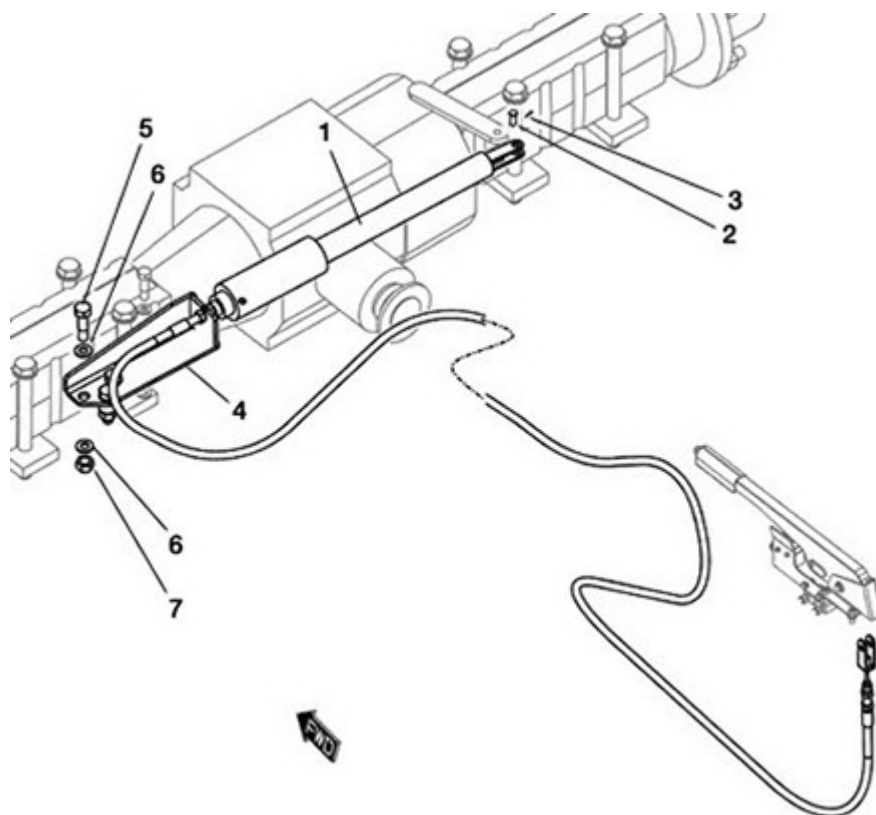


| FIGURA | REFERENCIA | DENOMINACIÓN | CANTIDAD |
|--------|--------------|--------------------------|----------|
| 001 | 65.05221.00 | ACC LEVER. BRAKE | 1 |
| 002 | 64.05113.05 | BRAKE CABLE, DANA 4x3850 | 1 |
| 003 | 961.08000.00 | SAFETY RING DIN6799 | 2 |
| 004 | 65.05135.00 | PIN 9x25 | 1 |
| 005 | 630.10025.96 | SCREW ISO7380 | 2 |
| 006 | 101.10000.66 | WASHER DIN125 D10 | 2 |
| 007 | 65.05223.00 | HAND BRAKE SENSOR | 1 |

05. BRAKE ACTIVATION

HANDBRAKE (PART 2)

BASTIDOR: 59061

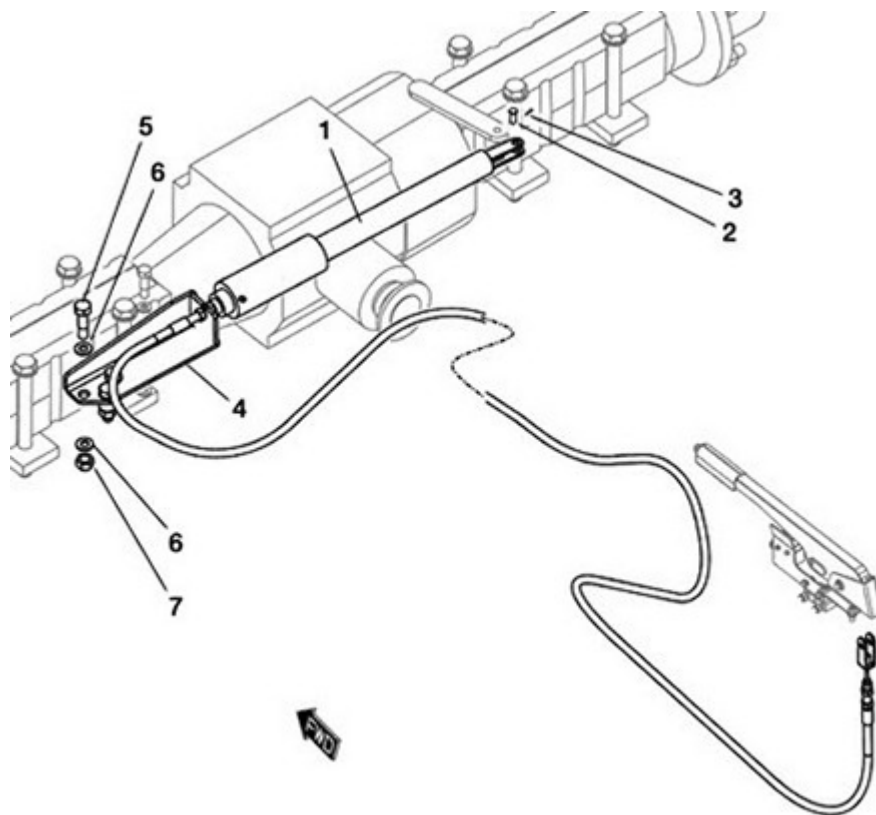


| FIGURA | REFERENCIA | DENOMINACIÓN | CANTIDAD |
|--------|--------------|--------------------------|----------|
| 001 | 64.05113.02 | BRAKE CABLE, DANA 4x3850 | 1 |
| 002 | 65.03117.00 | PIN 9,8x28 | 1 |
| 003 | 401.02025.60 | PIN DIN94 2x25 | 1 |
| 004 | 65.04190.00 | SUPPORT | 1 |
| 005 | 65.03617.00 | BOLT DIN912 M10x1,5x33 | 3 |
| 006 | 101.12000.66 | WASHER DIN125 D12 | 6 |
| 007 | 711.12000.66 | NUT DIN982 M12 | 3 |

05. BRAKE ACTIVATION

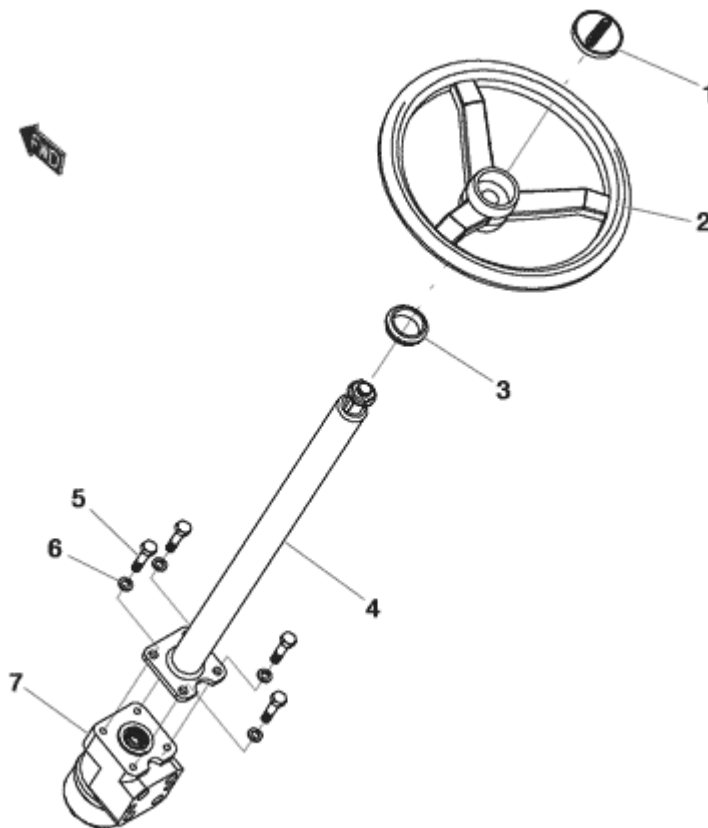
HANDBRAKE (PART 2)

BASTIDOR: 63607



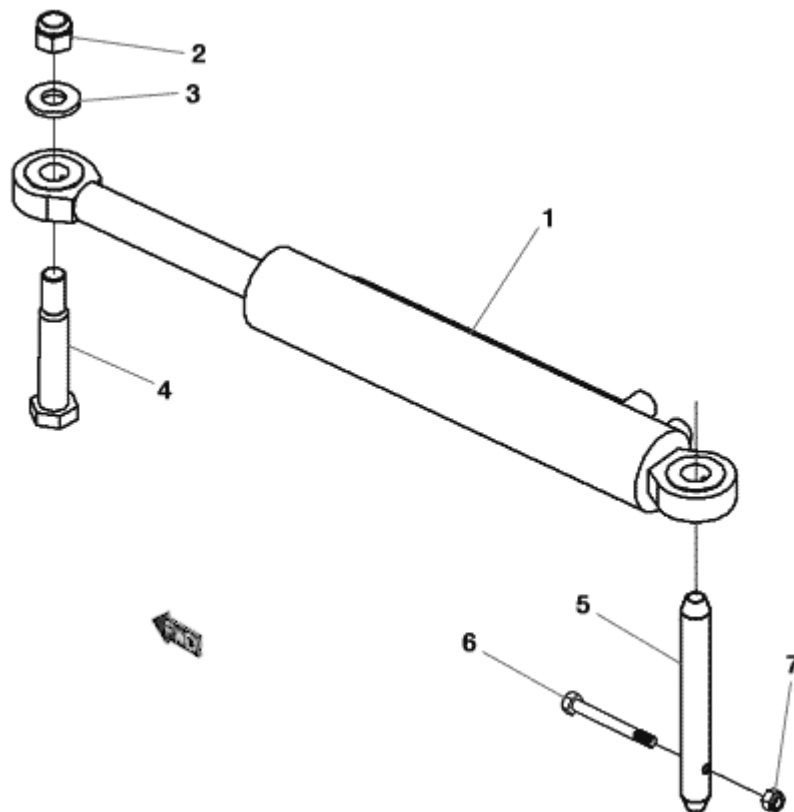
| FIGURA | REFERENCIA | DENOMINACIÓN | CANTIDAD |
|--------|--------------|--------------------------|----------|
| 001 | 64.05113.05 | BRAKE CABLE, DANA 4x3850 | 1 |
| 002 | 65.03117.00 | PIN 9,8x28 | 1 |
| 003 | 401.02025.60 | PIN DIN94 2x25 | 1 |
| 004 | 65.04190.00 | SUPPORT | 1 |
| 005 | 65.03617.00 | BOLT DIN912 M10x1,5x33 | 3 |
| 006 | 101.12000.66 | WASHER DIN125 D12 | 6 |
| 007 | 711.12000.66 | NUT DIN982 M12 | 3 |

06. STEERING STEERING (PART 1)



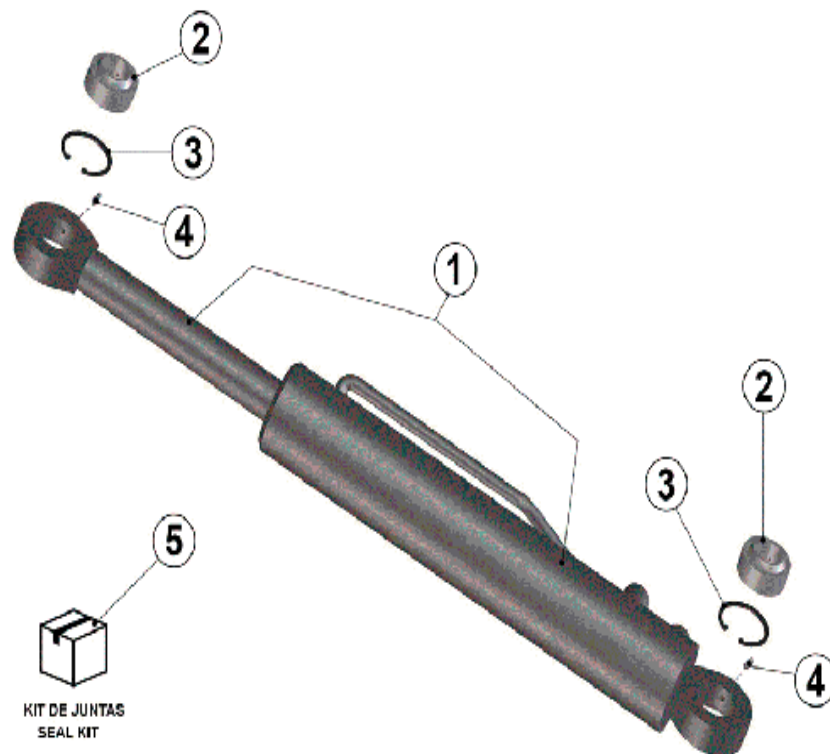
| FIGURA | REFERENCIA | DENOMINACIÓN | CANTIDAD |
|--------|--------------|------------------------------------|----------|
| 001 | 00.00626.03 | TRIM | 1 |
| 002 | 15.01016.01 | STEERING WHEEL D21-315 WITH POMMEL | 1 |
| 003 | 15.20727.00 | NYLON BEARING 16x38x52 | 1 |
| 004 | 65.06212.00 | STEERING COLUMN | 1 |
| 005 | 604.10030.86 | SCREW DIN931 | 4 |
| 006 | 104.10000.00 | WASHER DIN7980 D10 | 4 |
| 007 | 65.06211.00 | HYDROSTATIC STEERING | 1 |

06. STEERING STEERING (PART 2)



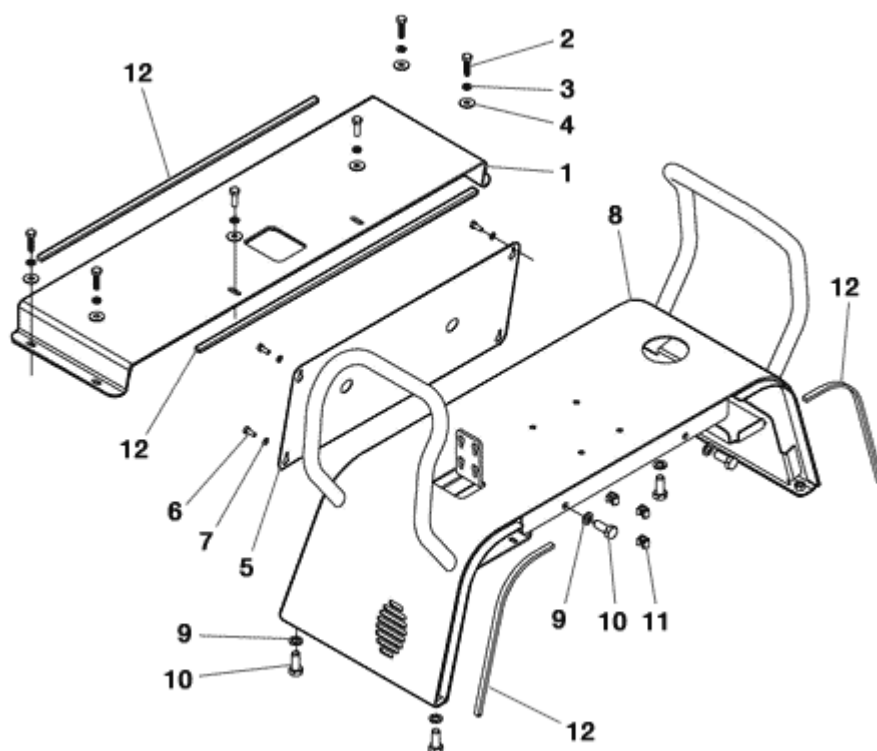
| FIGURA | REFERENCIA | DENOMINACIÓN | CANTIDAD |
|--------|--------------|----------------------|----------|
| 001 | 65.06210.00 | CYLINDER | 1 |
| 002 | 711.20000.66 | NUT | 1 |
| 003 | 101.20000.66 | WASHER DIN125 | 1 |
| 004 | 64.04225.00 | SHAFT 36x20x140 | 1 |
| 005 | 65.06213.00 | SHAFT CYL/CYL 25x220 | 1 |
| 006 | 604.08055.86 | BOLT DIN931 M8x55 | 1 |
| 007 | 711.08000.66 | NUT DIN982 M8 | 1 |

06. STEERING HYDRAULIC CYLINDERS



| FIGURA | REFERENCIA | DENOMINACIÓN | CANTIDAD |
|--------|-------------|-------------------|----------|
| 001 | 65.06210.00 | CYLINDER | 1 |
| 002 | 65.06222.00 | BALL JOINT DIREC. | 2 |
| 003 | 65.06224.00 | O-RING | 2 |
| 004 | 65.06221.00 | CAP, GREASING | 2 |
| 005 | 65.06214.00 | SEAL KIT | 1 |

08. BODYWORK SHEETS (1)

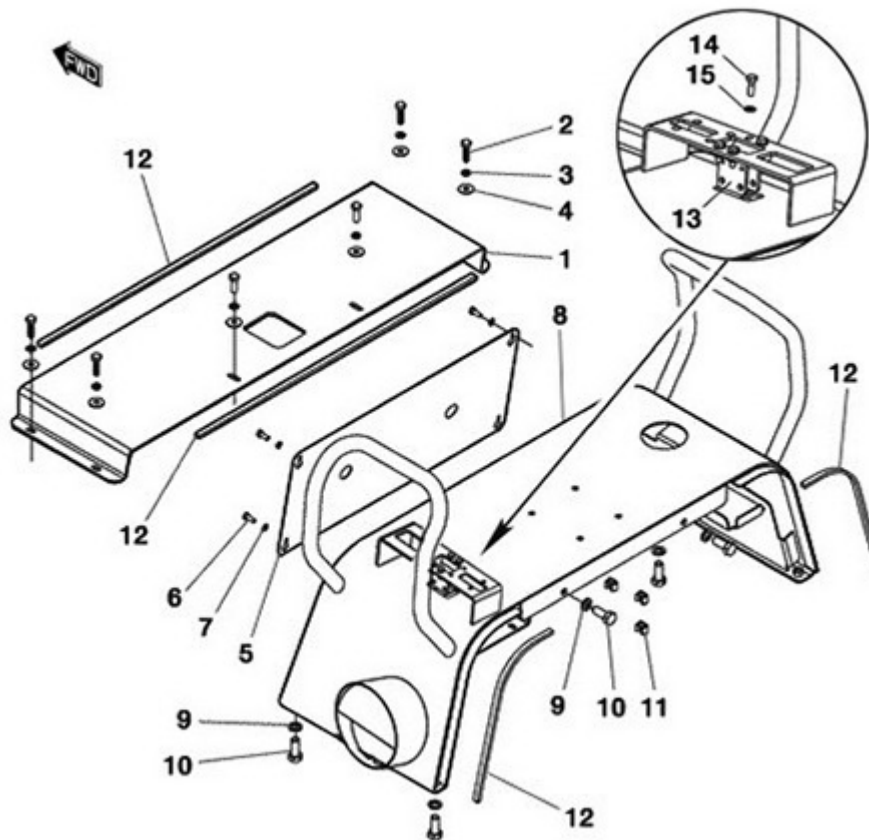


| FIGURA | REFERENCIA | DENOMINACIÓN | CANTIDAD |
|--------|--------------|---------------------|----------|
| 001 | 65.08114.00 | COVER | 1 |
| 002 | 630.08025.96 | SCREW ISO7380 | 6 |
| 003 | 104.08000.00 | WASHER DIN7980 D8 | 6 |
| 004 | 112.08000.66 | WASHER DIN9021 D8 | 6 |
| 005 | 65.08118.00 | COVER 620x270x1.5 | 1 |
| 006 | 603.06010.86 | SCREW DIN933 M6x10 | 4 |
| 007 | 104.06000.00 | WASHER DIN7980 D6 | 4 |
| 008 | 65.08110.00 | COVER | 1 |
| 009 | 104.12000.00 | WASHER DIN7980 D12 | 6 |
| 010 | 603.12030.86 | SCREW DIN933 M12x30 | 6 |
| 011 | 726.08003.66 | NUT M8x3 | 3 |
| 012 | 472.04015.00 | RUBBER PROFILE MAT. | 4 |

08. BODYWORK

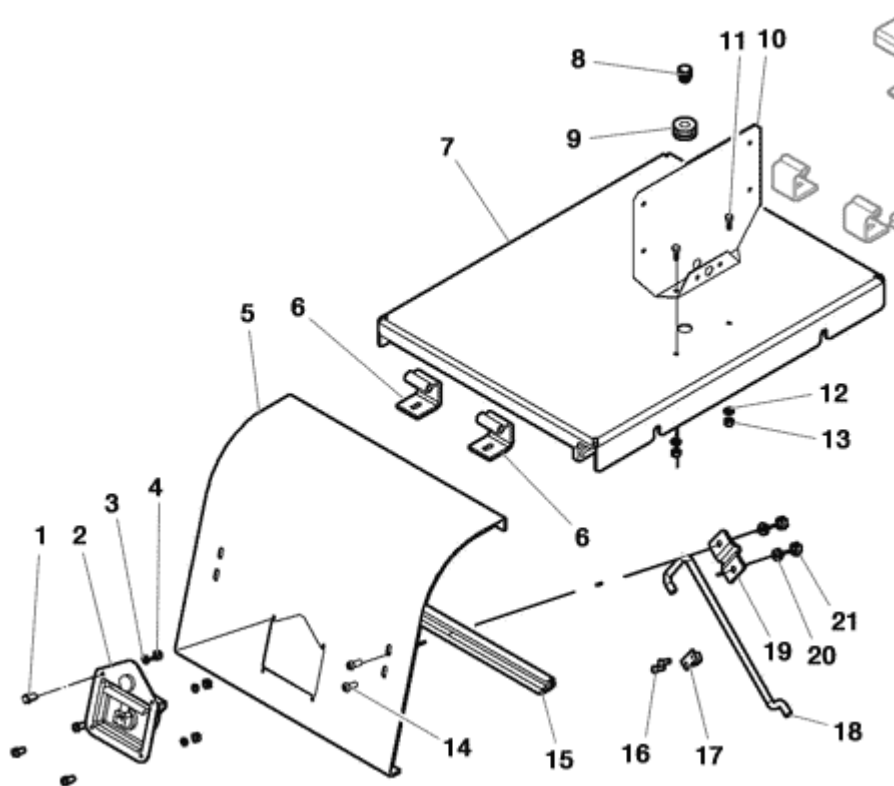
SHEETS (1)

BASTIDOR: 63607



| FIGURA | REFERENCIA | DENOMINACIÓN | CANTIDAD |
|--------|--------------|---------------------|----------|
| 001 | 65.08119.00 | COVER 1041x303x70 | 1 |
| 002 | 630.08025.96 | SCREW ISO7380 | 6 |
| 003 | 104.08000.00 | WASHER DIN7980 D8 | 6 |
| 004 | 112.08000.66 | WASHER DIN9021 D8 | 6 |
| 005 | 65.08118.01 | COVER 620X270X1.5 | 1 |
| 006 | 603.06010.86 | SCREW DIN933 M6x10 | 4 |
| 007 | 104.06000.00 | WASHER DIN7980 D6 | 4 |
| 008 | 65.08110.03 | COVER. 1067X667X492 | 1 |
| 009 | 104.12000.00 | WASHER DIN7980 D12 | 6 |
| 010 | 603.12030.86 | SCREW DIN933 M12x30 | 6 |
| 011 | 726.08003.66 | NUT M8x3 | 3 |
| 012 | 472.04015.00 | RUBBER PROFILE MAT. | 4 |
| 013 | 63.08127.00 | SUPPORT 65x30x57 | 2 |
| 014 | 603.08025.86 | SCREW DIN933 M8x25 | 4 |
| 015 | 101.08000.66 | WASHER DIN125 D8 | 4 |

08. BODYWORK SHEETS (2)

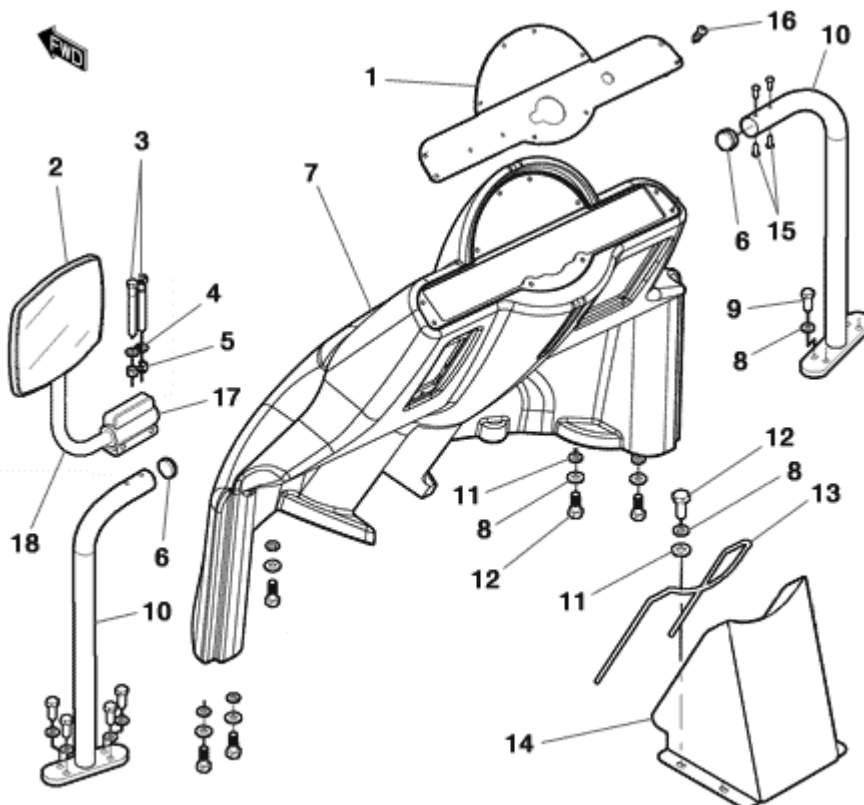


| FIGURA | REFERENCIA | DENOMINACIÓN | CANTIDAD |
|--------|--------------|------------------------|----------|
| 001 | 615.04015.66 | SCREW DIN84 M4x15 | 8 |
| 002 | 64.08119.00 | CLOSING WITH KEY | 2 |
| 003 | 104.04000.00 | WASHER DIN7980 D4 | 8 |
| 004 | 701.04000.66 | NUT DIN934 M4 | 8 |
| 005 | 65.08112.00 | COVER 422,5x331x233 | 2 |
| 006 | 64.08116.00 | HINGE 8x40 | 4 |
| 007 | 65.08111.00 | COVER 674x432x50 | 1 |
| 008 | 02.32013.00 | CAP | 1 |
| 009 | 16.00760.00 | BUSH | 1 |
| 010 | 46.10754.00 | PIN SUPPORT 25x195x250 | 1 |
| 011 | 603.05051.86 | SCREW | 2 |
| 012 | 104.05000.00 | WASHER DIN7980 D5 | 2 |
| 013 | 701.05000.66 | NUT DIN934 M5x0.8 | 2 |
| 014 | 630.06015.96 | SCREW ISO7380 M6x15 | 4 |
| 015 | 472.00410.00 | RUBBER PROFILE 22X22 | 2 |
| 016 | 504.02510.60 | RIVET 2,4x10 | 4 |
| 017 | 65.08121.00 | HOSE CLAMP Ø6 | 2 |
| 018 | 65.08115.00 | ROD | 2 |

08. BODYWORK SHEETS (2)

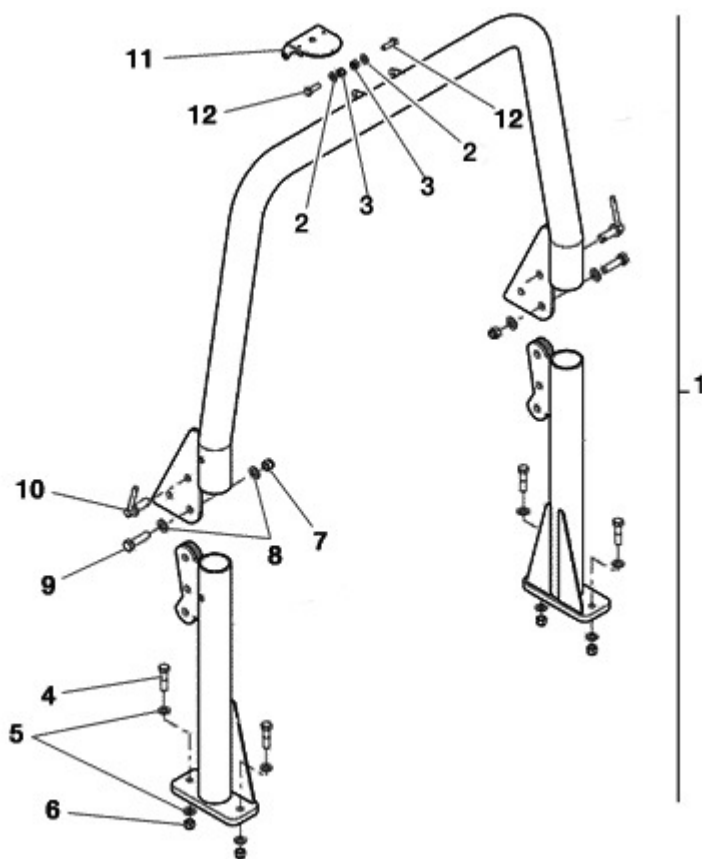
| FIGURA | REFERENCIA | DENOMINACIÓN | CANTIDAD |
|--------|--------------|-------------------|----------|
| 019 | 65.08116.00 | CLAMP 7 | 2 |
| 020 | 104.06000.00 | WASHER DIN7980 D6 | 4 |
| 021 | 701.06000.66 | NUT DIN934 M6X1 | 4 |

08. BODYWORK CAB



| FIGURA | REFERENCIA | DENOMINACIÓN | CANTIDAD |
|--------|--------------|-------------------------------|----------|
| 001 | 70.11010.00 | SUPPORT 503x184x2 | 1 |
| 002 | 09.11009.00 | REARVIEW MIRROR COMPLETE ASSY | 1 |
| 003 | 601.05050.86 | SCREW DIN912 | 2 |
| 004 | 101.05000.66 | WASHER DIN125 D5 | 2 |
| 005 | 711.05000.66 | NUT DIN982 M5 | 2 |
| 006 | 02.32035.00 | CAP | 2 |
| 007 | 65.08211.00 | PROTECTOR, STEERING SUPPORT | 1 |
| 008 | 104.08000.00 | WASHER DIN7980 D8 | 14 |
| 009 | 630.08020.96 | SCREW ISO7380 | 10 |
| 010 | 64.04412.00 | TUBE, METALLIC | 2 |
| 011 | 101.08000.66 | WASHER DIN125 D8 | 8 |
| 012 | 603.08025.86 | SCREW DIN933 M8x25 | 8 |
| 013 | 472.00007.00 | RUBBER PROFILE MAT. | 1 |
| 014 | 65.08212.00 | COVER 280x224x223 | 1 |
| 015 | 502.05025.60 | RIVET DIN1476 5x25 (POP) | 4 |
| 016 | 630.05010.96 | SCREW ISO7380 | 16 |
| 017 | 09.11012.00 | SOP. EJE 18X25X75 RETROVISOR | 1 |
| 018 | 09.11010.00 | SUPPORT 16X143X143 | 1 |

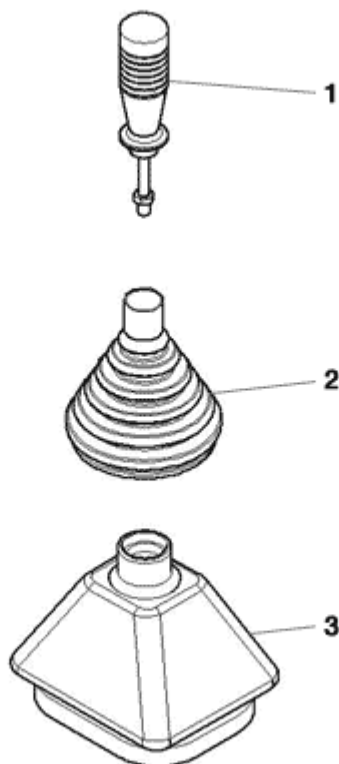
08. BODYWORK ROPS ARCH



| FIGURA | REFERENCIA | DENOMINACIÓN | CANTIDAD |
|--------|--------------|-----------------------------------|----------|
| 001 | 64.08118.01 | PROTECTOR ARCH | 1 |
| 002 | 64.08118.03 | PROTECTOR ARCH, RIGHT 770x250x110 | 1 |
| 003 | 64.08118.02 | PROTECTOR ARCH, LEFT 770x250x110 | 1 |
| 004 | 604.16065.86 | BOLT DIN931 M16x65 | 4 |
| 005 | 101.16000.66 | WASHER DIN125 D16 | 8 |
| 006 | 711.16000.66 | NUT DIN982 M16 8.8 K | 4 |
| 007 | 718.18000.66 | NUT | 2 |
| 008 | 101.18000.66 | BEARING DIN125 D18 | 4 |
| 009 | 604.18070.86 | SCREW DIN931 | 2 |
| 010 | 70.08104.00 | PIN WITH CHAIN | 2 |
| 011 | 70.08106.00 | SUPPORT 170x150x2 | 1 |
| 012 | 630.08020.96 | SCREW ISO7380 | 2 |
| 013 | 116.08000.00 | WASHER DIN125 A D8 | 2 |
| 014 | 711.08000.66 | NUT DIN982 M8 | 2 |

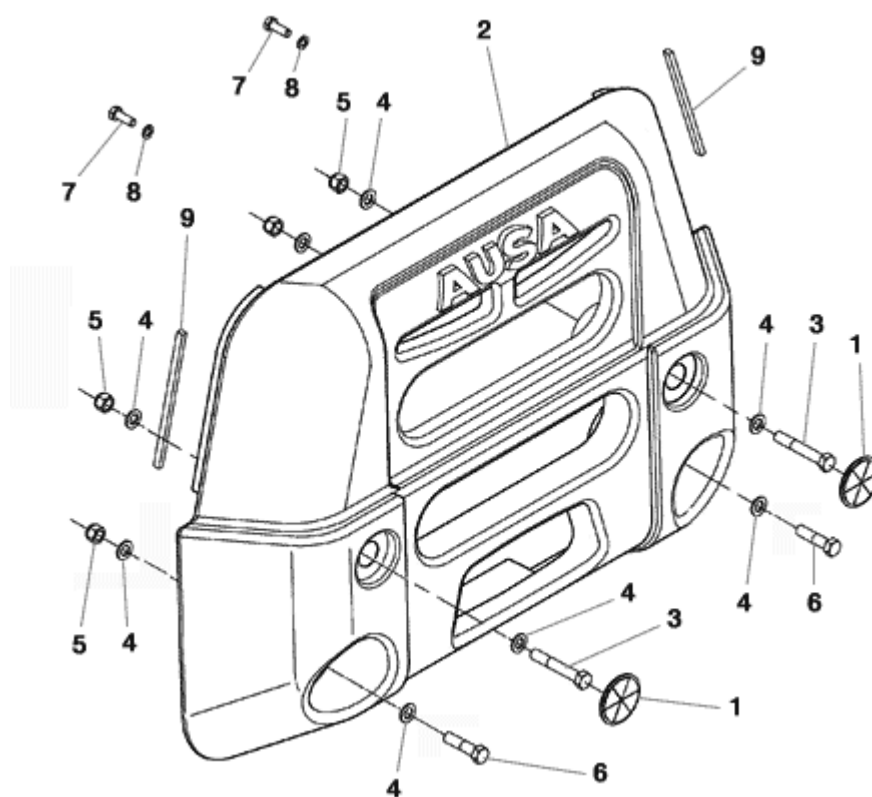
08. BODYWORK

JOYSTICK LEVER



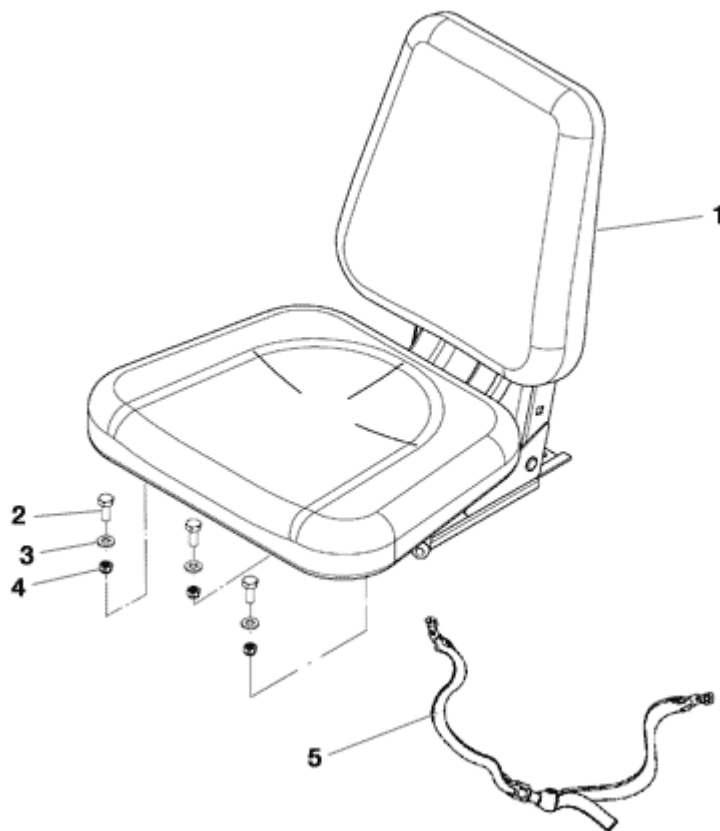
| FIGURA | REFERENCIA | DENOMINACIÓN | CANTIDAD |
|--------|-------------|----------------|----------|
| 001 | 65.08201.00 | CONTROL LEVER | 1 |
| 002 | 43.50349.00 | DUST PROTECTOR | 1 |
| 003 | 09.00391.61 | DUST EXCLUDER | 1 |

08. BODYWORK COUNTERWEIGHT



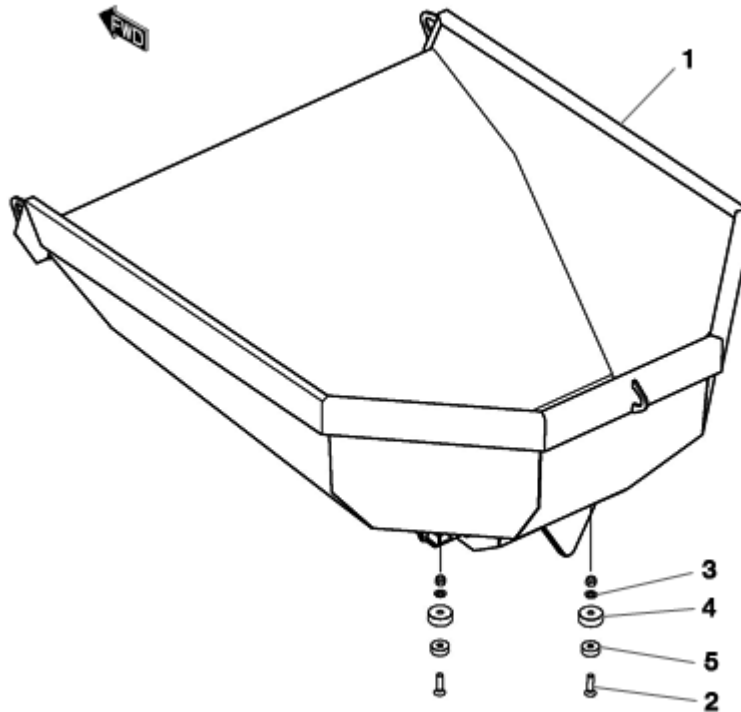
| FIGURA | REFERENCIA | DENOMINACIÓN | CANTIDAD |
|--------|--------------|--------------------------|----------|
| 001 | 10.11017.00 | RED REFLECTOR | 2 |
| 002 | 65.08310.00 | COUNTERWEIGHT(212'5 kg) | 1 |
| 003 | 604.16100.86 | SCREW DIN931 | 2 |
| 004 | 101.16000.66 | WASHER DIN125 D16 | 8 |
| 005 | 711.16000.66 | NUT DIN982 M16 8.8 K | 4 |
| 006 | 604.16065.86 | BOLT DIN931 M16x65 | 2 |
| 007 | 603.12035.86 | SCREW DIN933 | 2 |
| 008 | 104.12000.00 | WASHER DIN7980 D12 | 2 |
| 009 | 472.04015.00 | RUBBER PROFILE MAT. | 2 |

08. BODYWORK SEAT



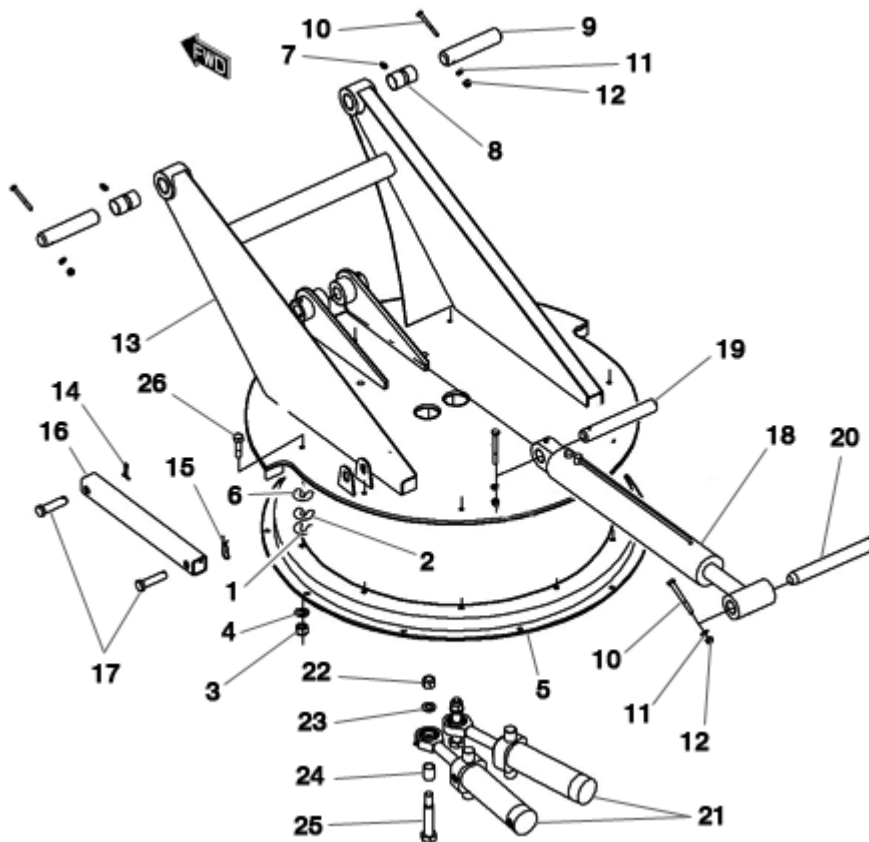
| FIGURA | REFERENCIA | DENOMINACIÓN | CANTIDAD |
|--------|--------------|---------------------|----------|
| 001 | 01.00706.07 | DRIVER S SEAT | 1 |
| 002 | 603.10025.86 | SCREW DIN933 M10x25 | 3 |
| 003 | 101.10000.66 | WASHER DIN125 D10 | 3 |
| 004 | 711.10000.66 | SHOCK ABSORBER | 3 |
| 005 | 45.60002.01 | BELT | 1 |

09. MACHINE FUNCTIONS IMPLEMENTS SYSTEM TURN (PART 1)



| FIGURA | REFERENCIA | DENOMINACIÓN | CANTIDAD |
|--------|--------------|---|----------|
| 001 | 65.09100.00 | BIN 300AMG-350AHG | 1 |
| 002 | 618.16060.86 | FLAT HEAD SOCKET CAP SCREW DIN7991 M16x60 | 2 |
| 003 | 101.16000.66 | WASHER DIN125 D16 | 2 |
| 004 | 20.03003.00 | SHOCK ABSORVER SUPPORT | 2 |
| 005 | 20.03002.00 | BUTT | 2 |

09. MACHINE FUNCTIONS IMPLEMENTS SYSTEM TURN (PART 2)



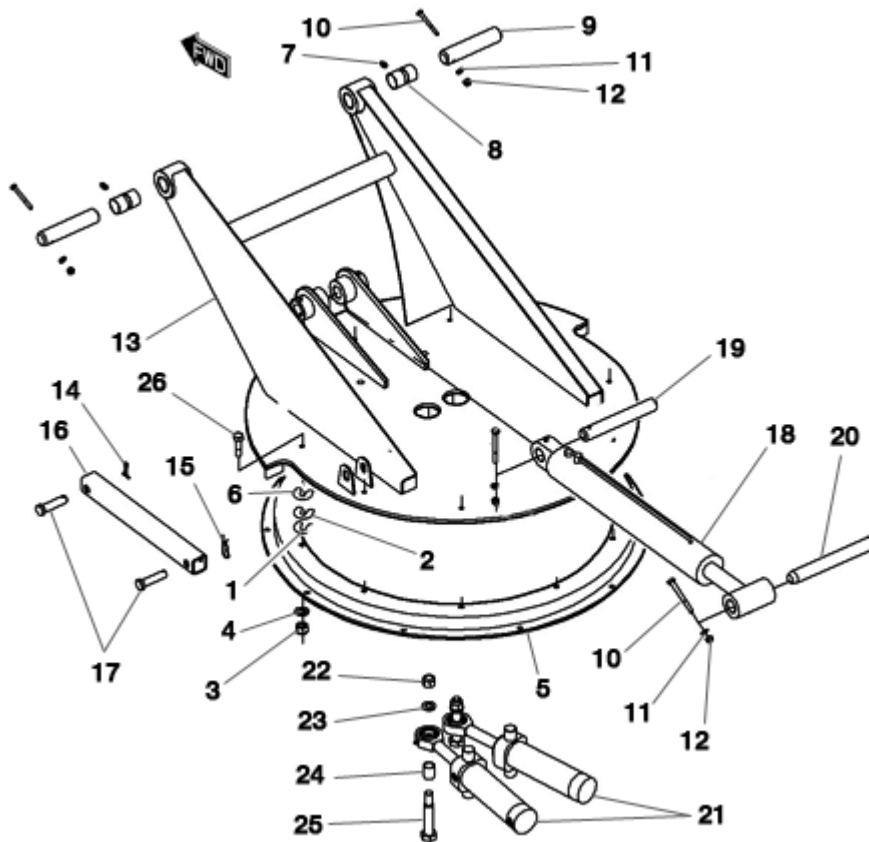
| FIGURA | REFERENCIA | DENOMINACIÓN | CANTIDAD |
|--------|--------------|-----------------------------|----------|
| 001 | 64.09219.00 | SUPPLY 1X14 | 20 |
| 002 | 64.09218.00 | SUPPLY 0,5X14 | 20 |
| 003 | 711.12000.86 | NUT DIN982 M12 C8 | 20 |
| 004 | 101.12000.66 | WASHER DIN125 D12 | 20 |
| 005 | 65.09621.00 | WHEEL 1050x865x52 | 1 |
| 006 | 64.09217.00 | SUPPLEMENT 0.2x14 | 15 |
| 007 | 901.08000.33 | GREASER DIN71412-A M8x1,25 | 2 |
| 008 | 949.04030.00 | BUSHING 40x44x30 DIN 1494 | 4 |
| 009 | 65.09110.00 | AXLE | 2 |
| 010 | 603.08075.86 | SCREW DIN933 | 3 |
| 011 | 101.08000.66 | WASHER DIN125 D8 | 1 |
| 012 | 711.08000.66 | NUT DIN982 M8 | 3 |
| 013 | 65.09600.00 | SUPPORT | 1 |
| 014 | 401.45040.60 | SPLIT PIN DIN94 | 1 |
| 015 | 15.00836.00 | PIN DIN11024 R4 | 1 |
| 016 | 64.09215.00 | SUPPORT 50x50x5, HOSE GUIDE | 1 |
| 017 | 64.09216.00 | SHAFT CYL/CYL 30x20x90 | 2 |
| 018 | 65.09510.00 | CYLINDER 72x1480 | 1 |

09. MACHINE FUNCTIONS IMPLEMENTS SYSTEM TURN (PART 2)

| FIGURA | REFERENCIA | DENOMINACIÓN | CANTIDAD |
|--------|--------------|---------------------|----------|
| 019 | 65.09623.00 | CYL/CYL AXLE 35X248 | 1 |
| 020 | 64.09115.00 | CYL/CYL AXLE 35X290 | 1 |
| 021 | 65.09622.00 | CYLINDER 65x235 | 2 |
| 022 | 711.20000.66 | NUT | 2 |
| 023 | 101.20000.66 | WASHER DIN125 | 2 |
| 024 | 64.04230.00 | BUSHING 2.5x25x30 | 2 |
| 025 | 64.04225.00 | SHAFT 36x20x140 | 2 |
| 026 | 604.12045.96 | SCREW DIN931 M12x45 | 20 |

09. MACHINE FUNCTIONS IMPLEMENTS SYSTEM TURN (PART 2)

BASTIDOR: 50150



| FIGURA | REFERENCIA | DENOMINACIÓN | CANTIDAD |
|--------|--------------|------------------------------|----------|
| 001 | 64.09219.00 | SUPPLY 1X14 | 20 |
| 002 | 64.09218.00 | SUPPLY 0,5X14 | 20 |
| 003 | 711.12000.86 | NUT DIN982 M12 C8 | 20 |
| 004 | 101.12000.66 | WASHER DIN125 D12 | 20 |
| 005 | 65.09621.00 | WHEEL 1050x865x52 | 1 |
| 006 | 64.09217.00 | SUPPLEMENT 0.2x14 | 15 |
| 007 | 901.08000.33 | GREASER DIN71412-A M8x1,25 | 2 |
| 008 | 949.04030.00 | BUSHING 40x44x30 DIN 1494 | 4 |
| 009 | 65.09110.00 | AXLE | 2 |
| 010 | 603.08075.86 | SCREW DIN933 | 3 |
| 011 | 101.08000.66 | WASHER DIN125 D8 | 1 |
| 012 | 711.08000.66 | NUT DIN982 M8 | 3 |
| 013 | 65.09600.01 | FIXING SUPPORT 1378X1107X680 | 1 |
| 014 | 401.45040.60 | SPLIT PIN DIN94 | 1 |
| 015 | 15.00836.00 | PIN DIN11024 R4 | 1 |
| 016 | 64.09215.00 | SUPPORT 50x50x5, HOSE GUIDE | 1 |
| 017 | 64.09216.00 | SHAFT CYL/CYL 30x20x90 | 2 |
| 018 | 65.09510.00 | CYLINDER 72x1480 | 1 |

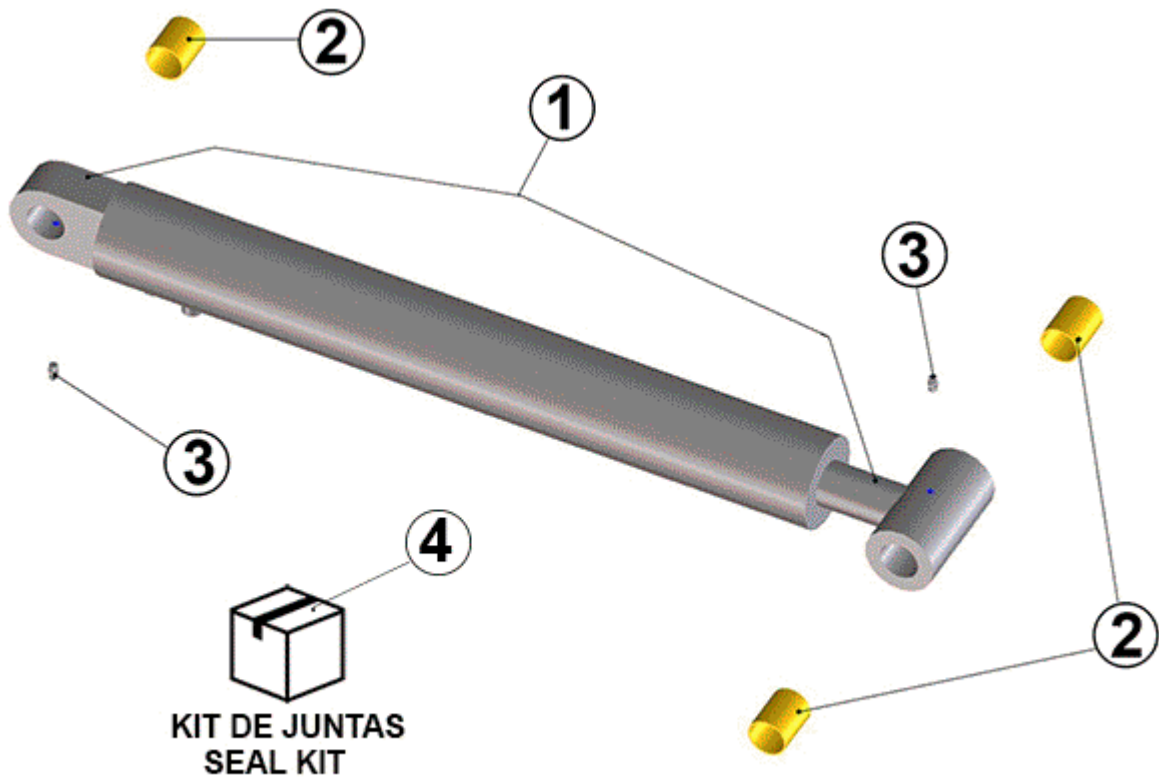
09. MACHINE FUNCTIONS IMPLEMENTS

SYSTEM TURN (PART 2)

BASTIDOR: 50150

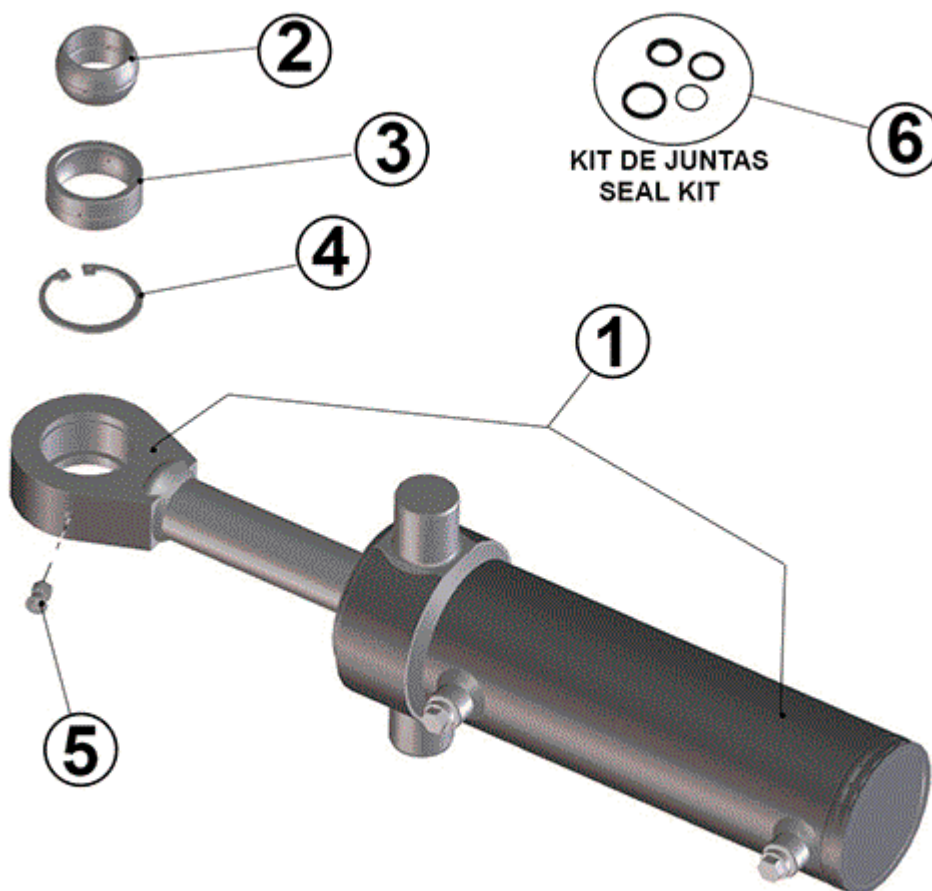
| FIGURA | REFERENCIA | DENOMINACIÓN | CANTIDAD |
|--------|--------------|---------------------|----------|
| 019 | 65.09623.00 | CYL/CYL AXLE 35X248 | 1 |
| 020 | 64.09115.00 | CYL/CYL AXLE 35X290 | 1 |
| 021 | 65.09622.00 | CYLINDER 65x235 | 2 |
| 022 | 711.20000.66 | NUT | 2 |
| 023 | 101.20000.66 | WASHER DIN125 | 2 |
| 024 | 64.04230.00 | BUSHING 2.5x25x30 | 2 |
| 025 | 64.04225.00 | SHAFT 36x20x140 | 2 |
| 026 | 604.12045.96 | SCREW DIN931 M12x45 | 20 |

09. MACHINE FUNCTIONS IMPLEMENTS ELEVATION CYLINDER



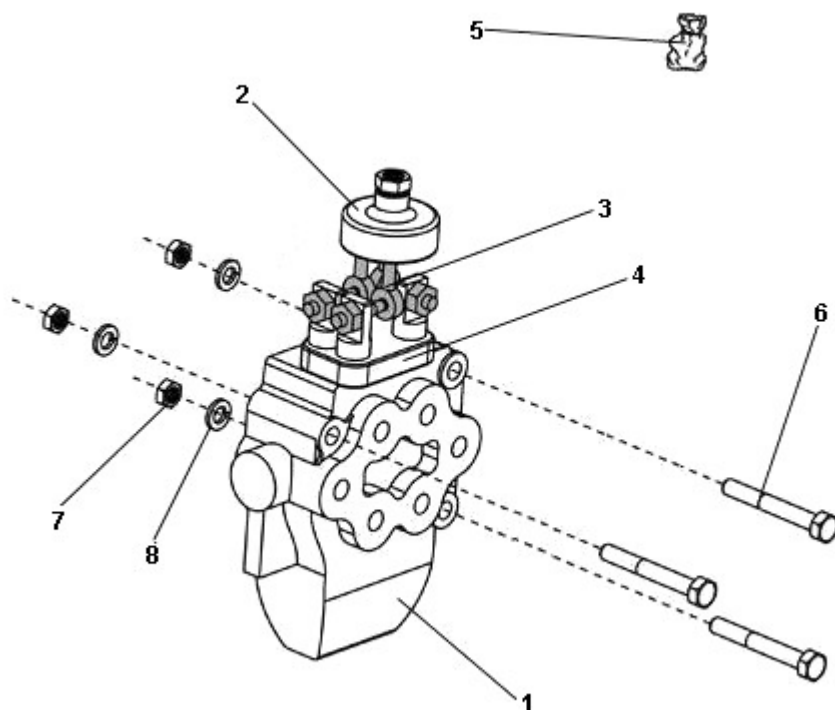
| FIGURA | REFERENCIA | DENOMINACIÓN | CANTIDAD |
|--------|-------------|------------------|----------|
| 001 | 65.09510.00 | CYLINDER 72x1480 | 1 |
| 002 | 65.09517.00 | BUSHING | 3 |
| 003 | 65.06221.00 | CAP, GREASING | 2 |
| 004 | 65.09511.00 | SEAL KIT | 1 |

09. MACHINE FUNCTIONS IMPLEMENTS ROTATING CYLINDER



| FIGURA | REFERENCIA | DENOMINACIÓN | CANTIDAD |
|--------|-------------|-----------------|----------|
| 001 | 65.09622.00 | CYLINDER 65x235 | 1 |
| 002 | 65.09636.00 | BALL JOINT | 1 |
| 003 | 65.09638.00 | BALL JOINT | 1 |
| 005 | 65.09521.00 | CAP, GREASING | 1 |
| 006 | 65.09622.10 | SEAL KIT, CYL. | 1 |

10. HYDRAULIC INSTALLATION DISTRIBUTOR

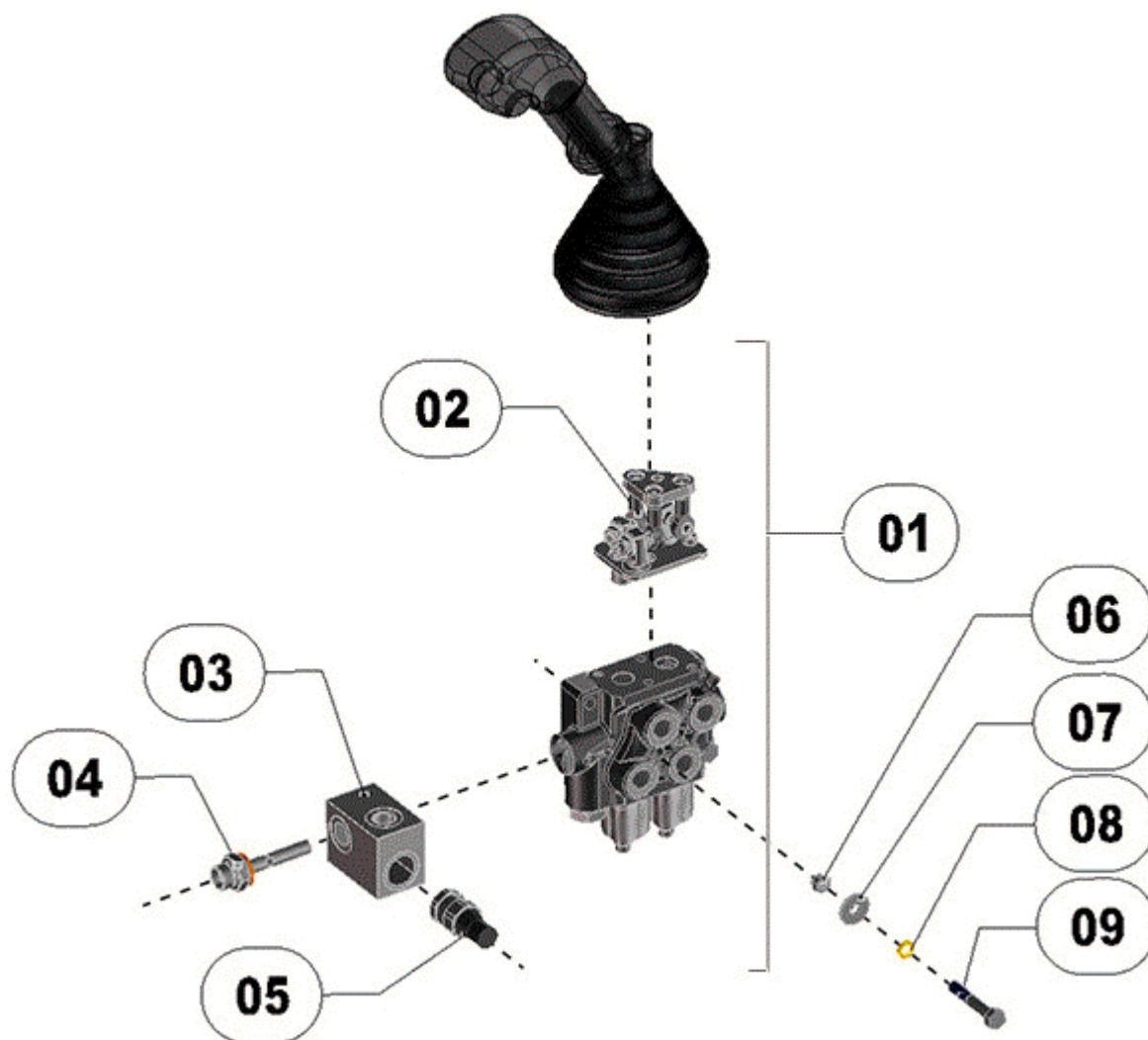


| FIGURA | REFERENCIA | DENOMINACIÓN | CANTIDAD |
|--------|--------------|--------------------|----------|
| 001 | 64.10112.00 | CONTROL VALVE 2E | 1 |
| 002 | RQ1670/728 | LEVER SUPPORT | 1 |
| 003 | RQN1670/823 | L-BALLS KIT | 1 |
| 004 | RQ1670/723 | SUPPORT COVER | 1 |
| 005 | RQ1670/159 | SEAL KIT | 1 |
| 006 | 601.08065.86 | SCREW DIN912 M8x65 | 3 |
| 007 | 711.08000.66 | NUT DIN982 M8 | 3 |
| 008 | 101.08000.66 | WASHER DIN125 D8 | 3 |

10. HYDRAULIC INSTALLATION

DISTRIBUTOR

BASTIDOR: 61892

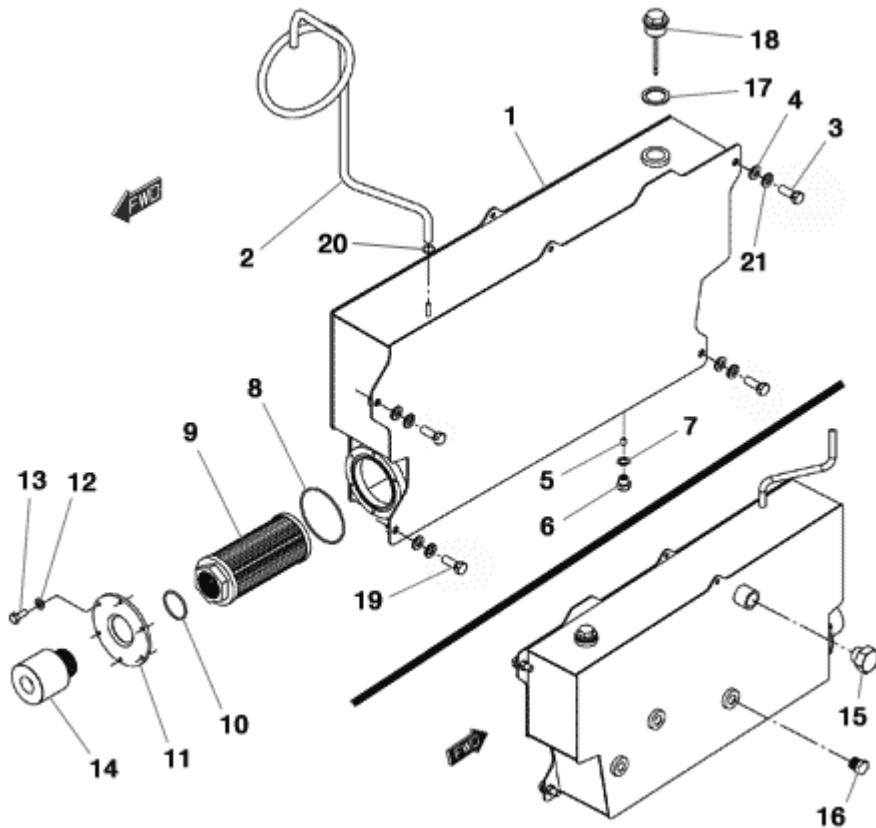


| FIGURA | REFERENCIA | DENOMINACIÓN | CANTIDAD |
|--------|--------------------|-------------------|----------|
| 001 | 64.10112.01 | CONTROL VALVE 2E | 1 |
| 002 | BODO55513629R05 | KIT HEADS | 1 |
| 003 | BO4K01ESG38001R05 | VALVE G3/8 | 1 |
| 004 | BO29802218015R10 | SCREW | 1 |
| 005 | BO5KPAB1Z170P01R05 | FITTING M18x1,5 | 1 |
| 006 | 711.08000.66 | NUT DIN982 M8 | 2 |
| 007 | 112.08000.66 | WASHER DIN9021 D8 | 2 |
| 008 | 104.08000.00 | WASHER DIN7980 D8 | 2 |
| 009 | 604.08050.86 | SCREW DIN931 | 2 |

OBSERVACIONES

MOD.3784 Sustituir el distribuidor Roquet por otro de Bondioli/Pavesi

10. HYDRAULIC INSTALLATION HYDRAULIC TANK



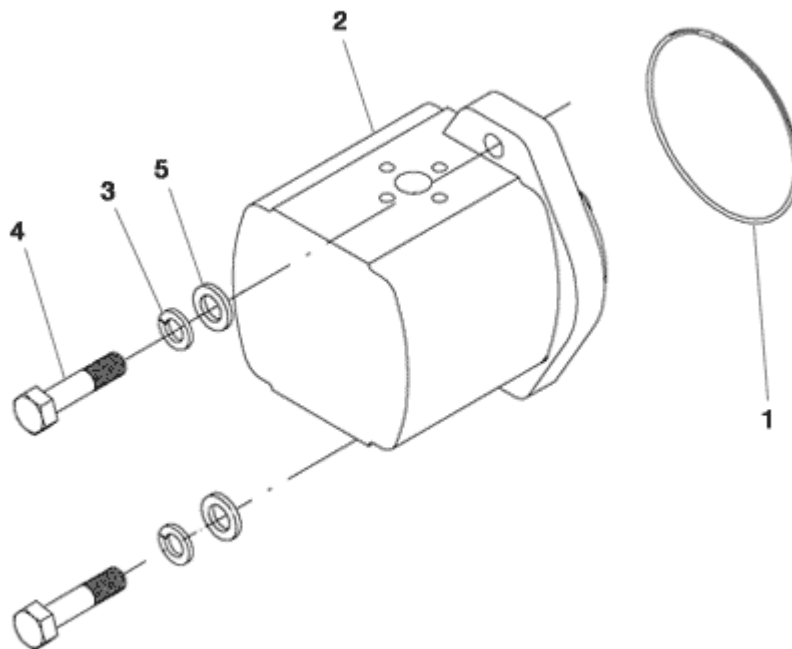
| FIGURA | REFERENCIA | DENOMINACIÓN | CANTIDAD |
|--------|--------------|---------------------------|----------|
| 001 | 65.10510.00 | OIL TANK | 1 |
| 002 | 469.03014.00 | HOSE L/P MAT. 8x14 | 1 |
| 003 | 604.12035.86 | SCREW DIN931 M12x35 | 3 |
| 004 | 112.12000.66 | WASHER DIN9021 D 12X36 | 4 |
| 005 | 01.00335.00 | MAGNET | 1 |
| 006 | 10.00921.00 | CAP M14X150 DIN908 | 1 |
| 007 | 107.14000.10 | WASHER AL 14x20x1.5 | 1 |
| 008 | 201.95003.50 | O-RING DIN3770 | 1 |
| 009 | 58.01810.00 | HIDRAULIC CATRIDGE INTANK | 1 |
| 010 | 201.46003.50 | O-RING DIN3770 46x52x3 | 1 |
| 011 | 43.70408.00 | STRIP | 1 |
| 012 | 104.06000.00 | WASHER DIN7980 D6 | 6 |
| 013 | 603.06015.86 | SCREW DIN933 M6x15 | 6 |
| 014 | 64.10117.00 | FITTING. | 1 |
| 015 | 70.10246.00 | CAP | 1 |
| 016 | 45.10803.10 | CAP M22x1,5 | 1 |
| 017 | 43.13444.00 | GASKET MET. BUNA | 1 |
| 018 | 46.10052.00 | DIPSTICK 1 D5x85 | 1 |

10. HYDRAULIC INSTALLATION

HYDRAULIC TANK

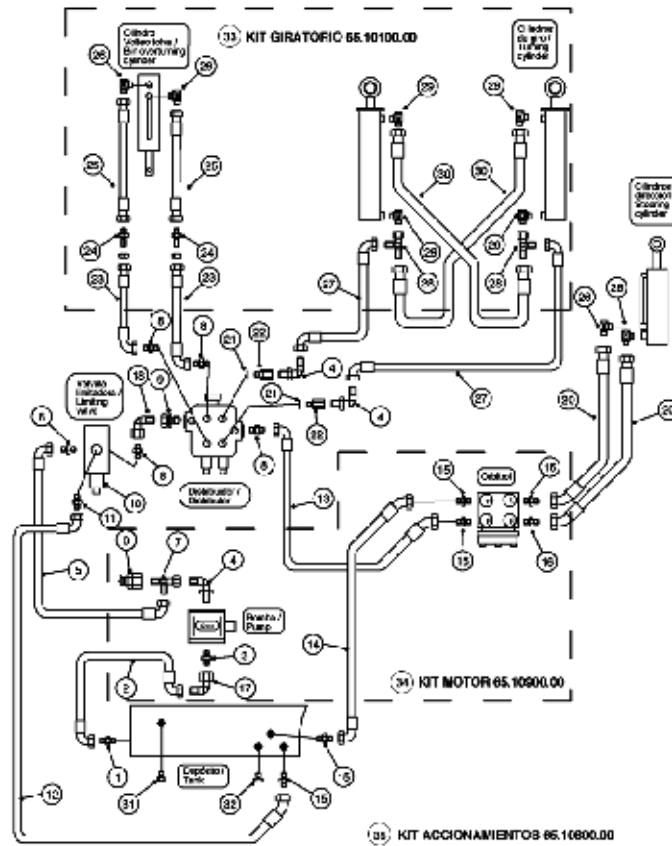
| FIGURA | REFERENCIA | DENOMINACIÓN | CANTIDAD |
|--------|--------------|--------------------|----------|
| 019 | 604.12030.86 | SCREW DIN931 | 1 |
| 020 | 912.08016.66 | CLAMP DIN3017 | 1 |
| 021 | 104.12000.00 | WASHER DIN7980 D12 | 4 |

10. HYDRAULIC INSTALLATION ENGINE COVER 1



| FIGURA | REFERENCIA | DENOMINACIÓN | CANTIDAD |
|--------|--------------|---------------------------------|----------|
| 001 | 201.08218.50 | O-RING DIN3770 82,27x85,83x1,78 | 1 |
| 002 | 65.10113.00 | HYDRAULIC PUMP 12 CC SAE9 | 1 |
| 003 | 104.08000.00 | WASHER DIN7980 D8 | 2 |
| 004 | 603.08030.86 | SCREW DIN933 M8X30 | 2 |
| 005 | 101.06000.66 | WASHER DIN125 D6 | 2 |

10. HYDRAULIC INSTALLATION SERVICE DIAGRAM



| FIGURA | REFERENCIA | DENOMINACIÓN | CANTIDAD |
|--------|-------------|---------------------------------------|----------|
| 001 | 64.10301.00 | FITTING M/M M16X1,5 - 1/4GAS | 1 |
| 002 | 65.10801.00 | HYDRAULIC HOSE R1T3/4 1200 C90-C90M30 | 1 |
| 003 | 70.10221.00 | FITTING M/M M30x1/2BSP | 1 |
| 004 | 70.10249.00 | FITTING C90M/M 3/8GAS-M18x1,5 | 3 |
| 005 | 65.10802.00 | HYDRAULIC HOSE R2T3/8 790 C90-C90M18 | 1 |
| 006 | 70.10226.00 | FITTING M/TL M16x2- M18x1,5 | 1 |
| 007 | 70.10223.00 | FITTING M/M/TL M18x1,5 | 1 |
| 008 | 70.10222.00 | FITTING M/M M18x3/8BSP | 5 |
| 009 | 70.10237.00 | FITTING M/TL 3/8GAS - M18x1,5 | 1 |
| 010 | 64.10116.00 | VALVE, PRESSURE | 1 |
| 011 | 70.10253.00 | FITTING | 1 |
| 012 | 65.10803.00 | HYDRAULIC HOSE R1T1/2 1600 C90-C45M22 | 1 |
| 013 | 65.10804.00 | HYDRAULIC HOSE R2T3/8 2100 C90-C45M18 | 1 |
| 014 | 65.10805.00 | HYDRAULIC HOSE R1T1/2 1500 C90-C45M22 | 1 |
| 015 | 46.10824.00 | FITTING | 3 |
| 016 | 70.10229.00 | FITTING | 3 |
| 017 | 65.10806.00 | FITTING C90M/TL M30X2 | 1 |
| 018 | 64.10308.00 | ELBOW C90M/TL NIPPLE M18X1,5 | 1 |

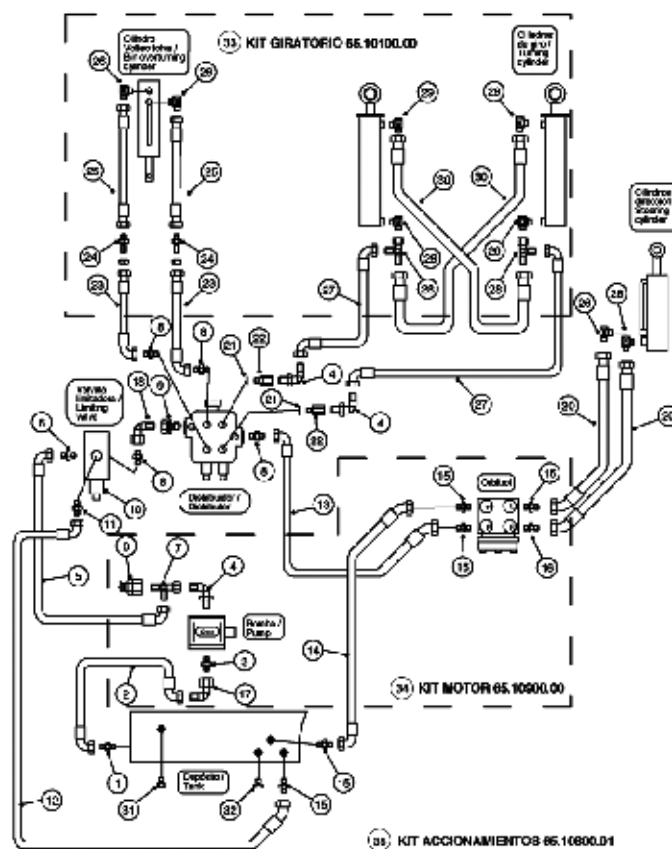
10. HYDRAULIC INSTALLATION SERVICE DIAGRAM

| FIGURA | REFERENCIA | DENOMINACIÓN | CANTIDAD |
|--------|-------------|---|----------|
| 020 | 65.10807.00 | HYDRAULIC HOSE R2T3/8 730 TL-C45M18 | 2 |
| 021 | 08.00317.00 | METALLIC GASKET BUNA D3/8 | 2 |
| 022 | 64.10326.00 | VALVE 3/8, ONE WAY | 2 |
| 023 | 65.10808.00 | HYDRAULIC HOSE R1T5/16 2830 TLM16-C90M1 | 2 |
| 024 | 70.10261.00 | FITTING M/M M16-1.5 | 2 |
| 025 | 65.10809.00 | HYDRAULIC HOSE R1T5/16 600 TLM16-TLM18 | 2 |
| 026 | 64.10311.00 | GASKET MET. BUNA | 4 |
| 027 | 65.10810.00 | HYDRAULIC HOSE R1T5/16 2540 C90M16-C90M | 2 |
| 028 | 46.10401.00 | FITTING | 2 |
| 029 | 70.10232.00 | FITTING C90M/M M16-1.5x1/4BSP | 4 |
| 030 | 65.10811.00 | HYDRAULIC HOSE R1T1/4 550 TL-TLM16X1,5 | 2 |
| 031 | 70.10246.00 | CAP | 1 |
| 032 | 12.10322.00 | "ALLEN CLOSER PLUG 1/2""G" | 1 |
| 033 | 65.10100.00 | PIPES KIT | 1 |
| 034 | 65.10900.00 | PIPES KIT ENGINE KIT | 1 |
| 035 | 65.10800.00 | PIPES KIT | 1 |

10. HYDRAULIC INSTALLATION

SERVICE DIAGRAM

BASTIDOR: 52806



| FIGURA | REFERENCIA | DENOMINACIÓN | CANTIDAD |
|--------|-------------|---------------------------------------|----------|
| 001 | 64.10301.00 | FITTING M/M M16X1,5 - 1/4GAS | 1 |
| 002 | 65.10801.00 | HYDRAULIC HOSE R1T3/4 1200 C90-C90M30 | 1 |
| 003 | 70.10221.00 | FITTING M/M M30x1/2BSP | 1 |
| 004 | 70.10249.00 | FITTING C90M/M 3/8GAS-M18x1,5 | 3 |
| 005 | 65.10802.00 | HYDRAULIC HOSE R2T3/8 790 C90-C90M18 | 1 |
| 006 | 70.10226.00 | FITTING M/TL M16x2- M18x1,5 | 1 |
| 007 | 70.10223.00 | FITTING M/M/TL M18x1,5 | 1 |
| 008 | 70.10222.00 | FITTING M/M M18x3/8BSP | 5 |
| 009 | 70.10237.00 | FITTING M/TL 3/8GAS - M18x1,5 | 1 |
| 010 | 64.10116.00 | VALVE, PRESSURE | 1 |
| 011 | 70.10253.00 | FITTING | 1 |
| 012 | 65.10803.00 | HYDRAULIC HOSE R1T1/2 1600 C90-C45M22 | 1 |
| 013 | 65.10804.00 | HYDRAULIC HOSE R2T3/8 2100 C90-C45M18 | 1 |
| 014 | 65.10805.00 | HYDRAULIC HOSE R1T1/2 1500 C90-C45M22 | 1 |
| 015 | 46.10824.00 | FITTING | 3 |
| 016 | 70.10229.00 | FITTING | 3 |
| 017 | 65.10806.00 | FITTING C90M/TL M30X2 | 1 |
| 018 | 64.10308.00 | ELBOW C90M/TL NIPPLE M18X1.5 | 1 |

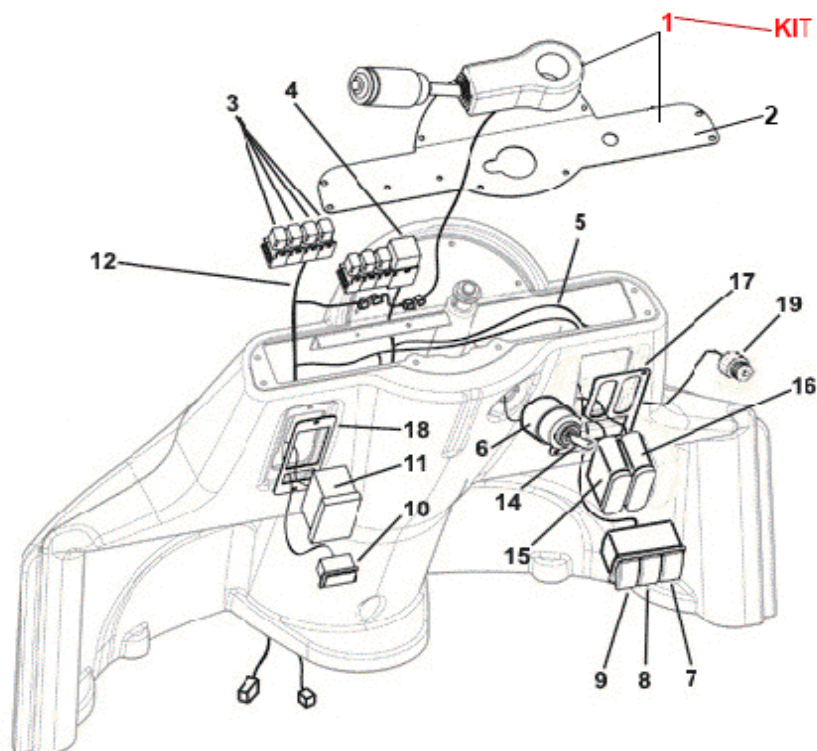
10. HYDRAULIC INSTALLATION

SERVICE DIAGRAM

BASTIDOR: 52806

| FIGURA | REFERENCIA | DENOMINACIÓN | CANTIDAD |
|--------|-------------|---|----------|
| 020 | 65.10807.01 | HYDRAULIC HOSE R2T3/8 1450 TL-C45M18 | 2 |
| 021 | 08.00317.00 | METALLIC GASKET BUNA D3/8 | 2 |
| 022 | 64.10326.00 | VALVE 3/8, ONE WAY | 2 |
| 023 | 65.10808.00 | HYDRAULIC HOSE R1T5/16 2830 TLM16-C90M1 | 2 |
| 024 | 70.10261.00 | FITTING M/M M16-1.5 | 2 |
| 025 | 65.10809.00 | HYDRAULIC HOSE R1T5/16 600 TLM16-TLM18 | 2 |
| 026 | 64.10311.00 | GASKET MET. BUNA | 4 |
| 027 | 65.10810.00 | HYDRAULIC HOSE R1T5/16 2540 C90M16-C90M | 2 |
| 028 | 46.10401.00 | FITTING | 2 |
| 029 | 70.10232.00 | FITTING C90M/M M16-1.5x1/4BSP | 4 |
| 030 | 65.10811.00 | HYDRAULIC HOSE R1T1/4 550 TL-TLM16X1,5 | 2 |
| 031 | 70.10246.00 | CAP | 1 |
| 032 | 12.10322.00 | "ALLEN CLOSER PLUG 1/2""G" | 1 |
| 033 | 65.10100.00 | PIPES KIT | 1 |
| 034 | 65.10900.00 | PIPES KIT ENGINE KIT | 1 |
| 035 | 65.10800.01 | | 1 |

11. ELECTRIC INSTALLATION LIGHTING PANEL



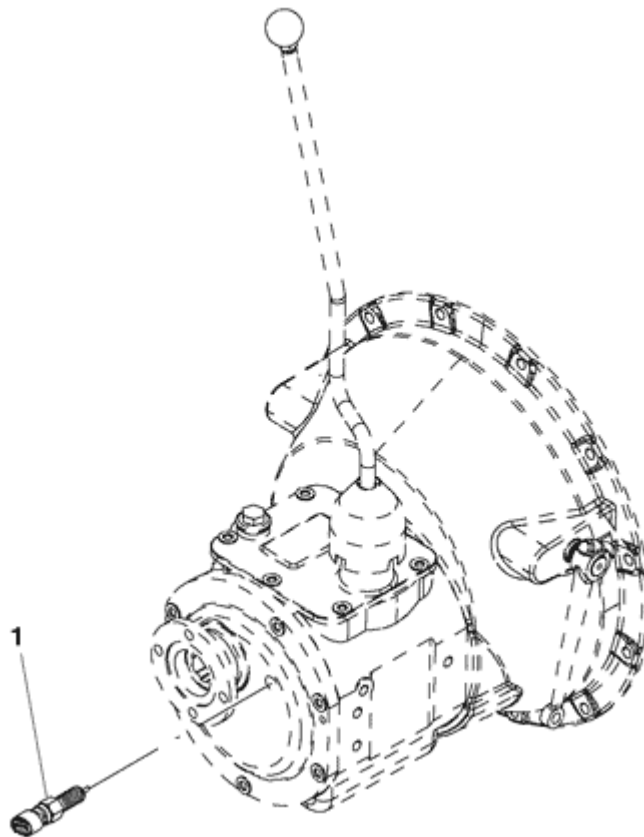
| FIGURA | REFERENCIA | DENOMINACIÓN | CANTIDAD |
|--------|--------------|----------------------------------|----------|
| 001 | 70.11323RE01 | KIT OF / LIGHTS AHG C / DIGICODE | 1 |
| 002 | 70.11010.00 | SUPPORT 503x184x2 | 1 |
| 003 | IM.20026.03 | MICRO RELAY WITH DIODE | 4 |
| 004 | IM.20025.00 | INTERMITTENCE BOX | 1 |
| 005 | 70.11315.00 | WIRE HARNESS, LIGHTS PANEL | 2 |
| 006 | IM.20024.00 | SWITCH | 1 |
| 007 | IM.20037.00 | SWITCH, WARNING | 1 |
| 008 | 70.11328.00 | horn switch | 1 |
| 009 | 70.11327.00 | SWITCH ROTARY FARO | 1 |
| 010 | IM.20040.00 | HOURMETER | 1 |
| 011 | IM.20022.00 | FUSE BOX | 1 |
| 012 | 70.11301.00 | I/E PANEL AMA | 1 |
| 013 | 70.11325.00 | SUPPORT, DASHPANEL RELAYS | 1 |
| 014 | IM.20032.00 | KEY | 1 |
| 015 | 70.11335.00 | INDICATOR, BATTERY ALARM | 1 |
| 016 | 70.11336.00 | INDICATOR, LIGHTS ALARM | 1 |
| 017 | 70.11012.00 | SUPPORT | 1 |
| 018 | 70.11011.00 | SUPPORT, FUSES PLATE | 1 |

11. ELECTRIC INSTALLATION

LIGHTING PANEL

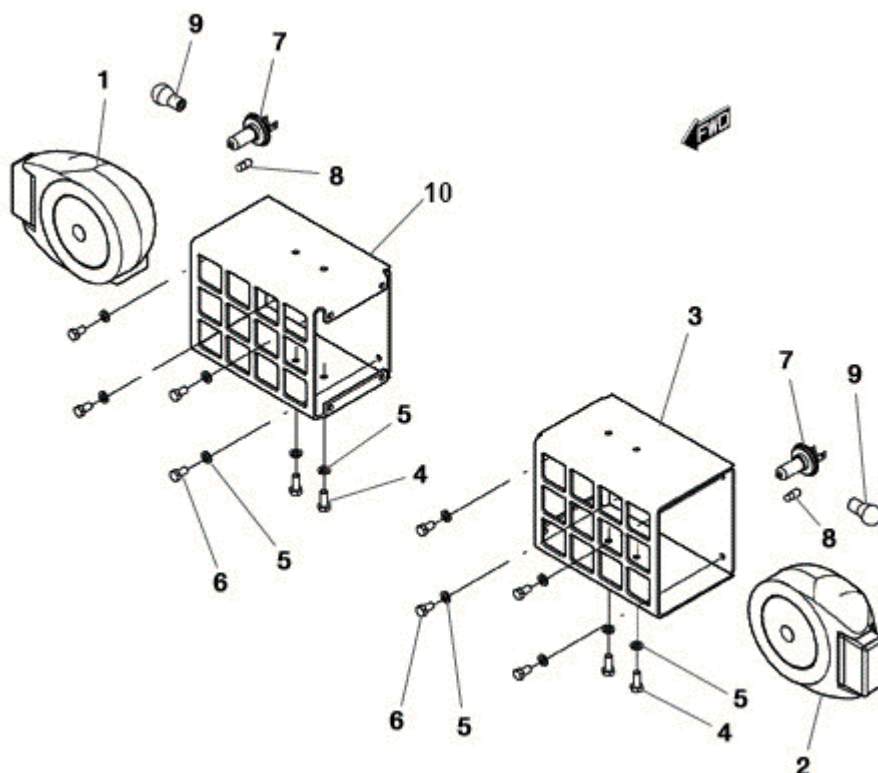
| FIGURA | REFERENCIA | DENOMINACIÓN | CANTIDAD |
|--------|-------------|---------------------------|----------|
| 019 | 12.11033.00 | HORN KPE650 | 1 |
| 020 | 12.11030.00 | SOP. FIJACION INTERRUPTOR | 1 |

11. ELECTRIC INSTALLATION GEARBOX CONNECTION



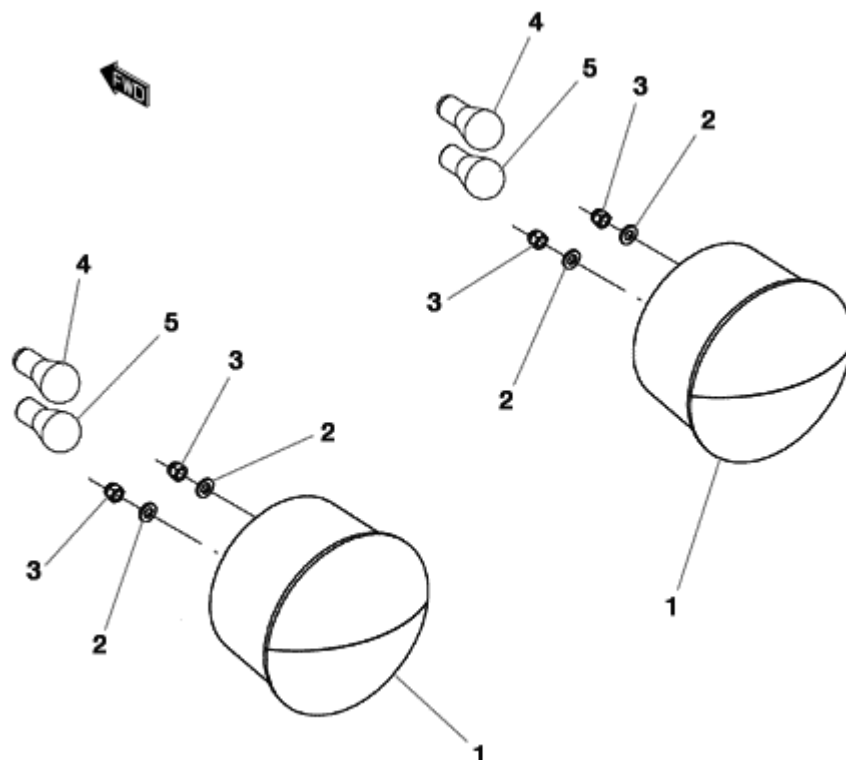
| FIGURA | REFERENCIA | DENOMINACIÓN | CANTIDAD |
|--------|------------|----------------------|----------|
| 001 | NE85M940 | REVERSE LIGHT SWITCH | 1 |

11. ELECTRIC INSTALLATION LIGHTS



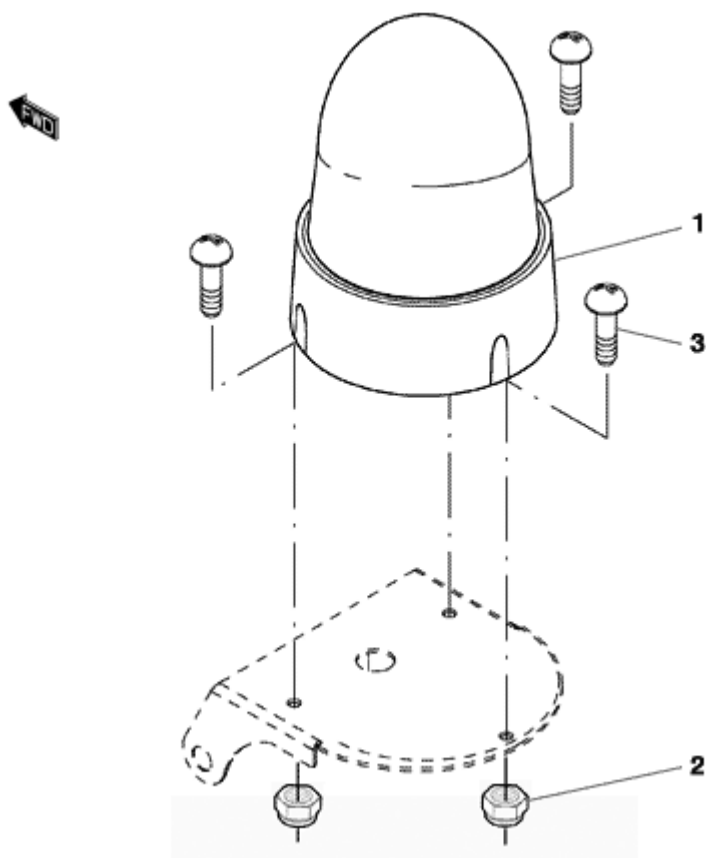
| FIGURA | REFERENCIA | DENOMINACIÓN | CANTIDAD |
|--------|--------------|--------------------------------|----------|
| 001 | 43.70324.00 | BEACON | 1 |
| 002 | 43.70325.00 | BEACON | 1 |
| 003 | 64.11111.00 | SUPPORT 160x20x266, LEFT LIGHT | 2 |
| 004 | 603.08020.00 | SCREW | 4 |
| 005 | 104.08000.00 | WASHER DIN7980 D8 | 12 |
| 006 | 603.08015.86 | SCREW DIN933 M8x15 | 8 |
| 007 | 43.70337.00 | BULB 12V 60/55W | 2 |
| 008 | 43.70335.00 | BULB 12V 14W | 2 |
| 009 | 43.70336.00 | BULB 12V 21W | 2 |

11. ELECTRIC INSTALLATION TAILLIGHTS



| FIGURA | REFERENCIA | DENOMINACIÓN | CANTIDAD |
|--------|--------------|---|----------|
| 001 | 10.14211.00 | POSITION-INTERMITTENCE-BRAKING WORKING LIGHTS | 2 |
| 002 | 101.06000.66 | WASHER DIN125 D6 | 4 |
| 003 | 711.06000.66 | NUT DIN982 M6 | 4 |
| 004 | 31.01331.00 | LAMP 12V 21W/5W | 2 |
| 005 | 31.01329.00 | LAMP 12V 21W | 2 |

11. ELECTRIC INSTALLATION ROTATING BEACON

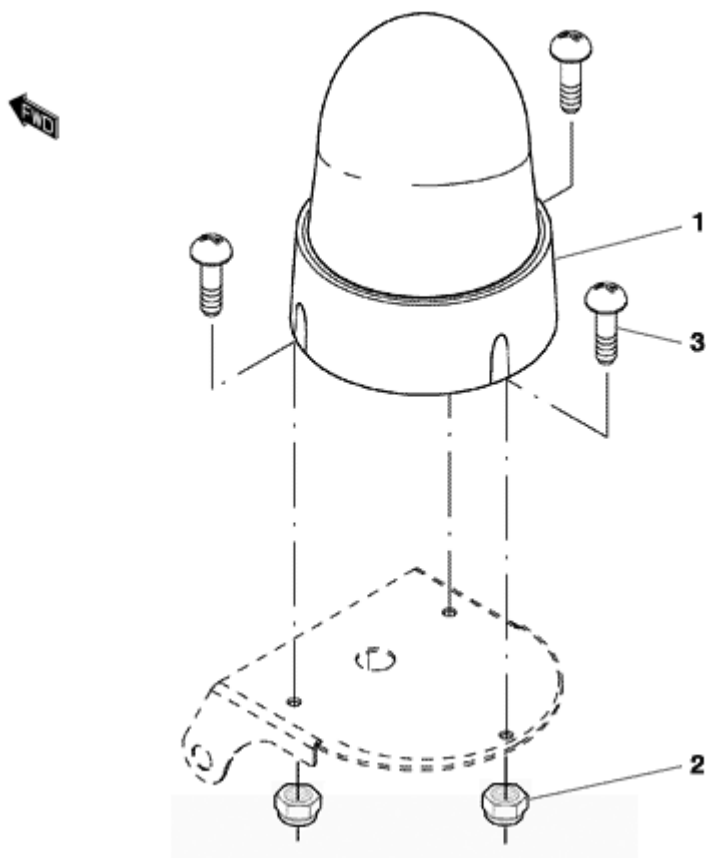


| FIGURA | REFERENCIA | DENOMINACIÓN | CANTIDAD |
|--------|--------------|---------------|----------|
| 001 | 01.00921.00 | BEACON | 1 |
| 002 | 711.06000.66 | NUT DIN982 M6 | 3 |
| 003 | 601.06020.86 | SCREW DIN912 | 3 |

11. ELECTRIC INSTALLATION

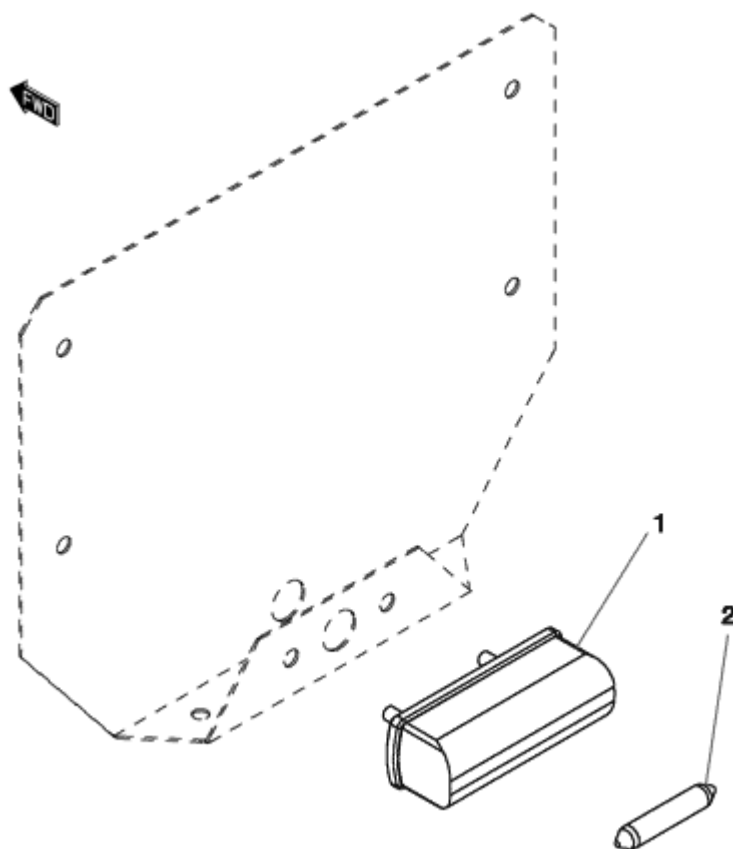
ROTATING BEACON

BASTIDOR: 60965



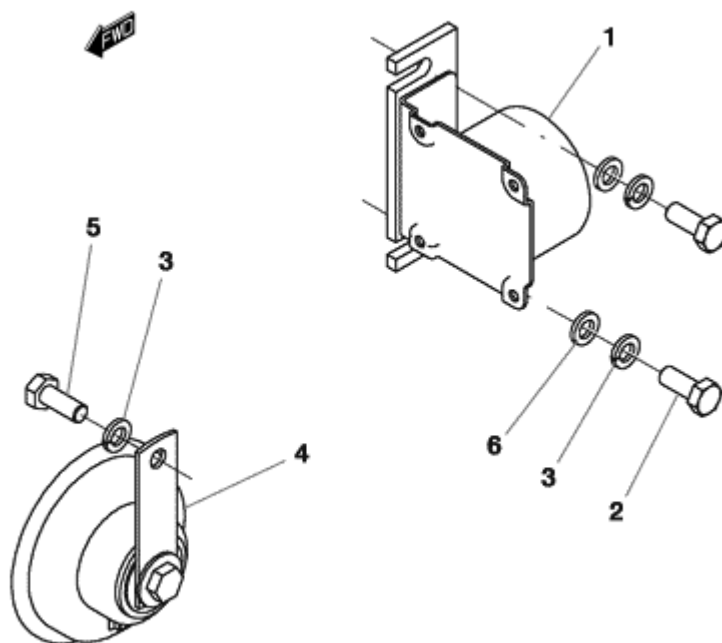
| FIGURA | REFERENCIA | DENOMINACIÓN | CANTIDAD |
|--------|--------------|-----------------------|----------|
| 001 | 01.00921.02 | ROTATING LIGHT BRITAX | 1 |
| 002 | 711.06000.66 | NUT DIN982 M6 | 3 |
| 003 | 601.06020.86 | SCREW DIN912 | 3 |

11. ELECTRIC INSTALLATION NUMBER PLATE LAMP



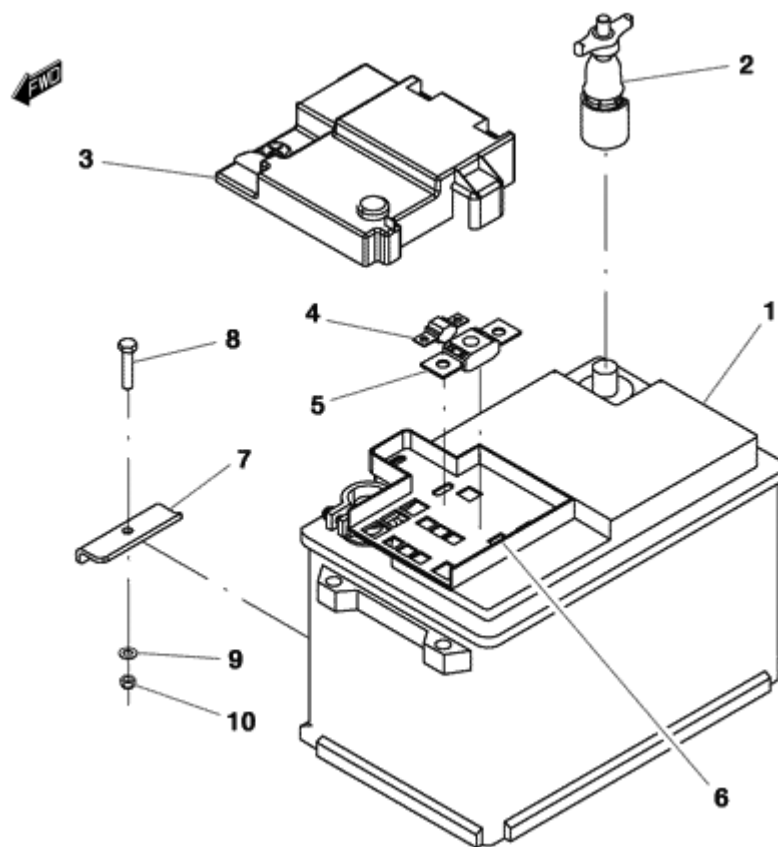
| FIGURA | REFERENCIA | DENOMINACIÓN | CANTIDAD |
|--------|-------------|--------------------|----------|
| 001 | 46.10755.00 | NUMBER PLATE LIGHT | 1 |
| 002 | 46.01324.00 | LAMP 12V 5W | 1 |

11. ELECTRIC INSTALLATION ACOUSTIC WARNING



| FIGURA | REFERENCIA | DENOMINACIÓN | CANTIDAD |
|--------|--------------|--------------------------------|----------|
| 001 | 70.11326.00 | REVERSE BREAK ACOUSTIC WARNING | 1 |
| 002 | 603.08020.86 | SCREW DIN933 M8x20 | 2 |
| 003 | 104.08000.00 | WASHER DIN7980 D8 | 3 |
| 004 | 70.11309.00 | HORN | 1 |
| 005 | 603.08015.86 | SCREW DIN933 M8x15 | 1 |
| 006 | 101.08000.66 | WASHER DIN125 D8 | 2 |

11. ELECTRIC INSTALLATION BATTERY



| FIGURA | REFERENCIA | DENOMINACIÓN | CANTIDAD |
|--------|--------------|--------------------------|----------|
| 001 | 15.01411.00 | BATTERY 12VX70AH | 1 |
| 002 | 20.11007.00 | DISCONNECTOR | 1 |
| 003 | 20.11014.00 | BATTERY FUSEBOX COVER | 1 |
| 004 | 20.11011.00 | FUSE 50A PROTECTION | 1 |
| 005 | 20.11010.02 | FUSE 300A MAIN PROTECTOR | 1 |
| 006 | 20.11009.00 | BATTERY FUSE BOX | 1 |
| 007 | 20.11101.00 | FIXATION SUPPORT 2X10X70 | 1 |
| 008 | 603.06030.86 | SCREW DIN933 M6x30 | 1 |
| 009 | 101.06000.66 | WASHER DIN125 D6 | 2 |
| 010 | 711.06000.66 | NUT DIN982 M6 | 1 |

12. FINISHES

STICKERS & PLATES (PART 1)



| FIGURA | REFERENCIA | DENOMINACIÓN | CANTIDAD |
|--------|-------------|---------------------------------|----------|
| 001 | 65.12001.00 | 300AMG MODEL IND. | 2 |
| 002 | 01.12104.00 | AD. IND. PRESSURE 4 BAR /57 PSI | 2 |
| 003 | 65.12005.00 | ADH. PLATE IND. , CONTROL LEVER | 1 |
| 004 | 01.12106.00 | ADH. PLATE IND. 5/74, PRESSURE | 4 |
| 005 | 14.00775.01 | PLATE AD. INDI | 2 |
| 006 | 13.12136.02 | ADHESIVE, AUSA 720x147 | 2 |

12. FINISHES

STICKERS & PLATES (PART 1)

BASTIDOR: 58923



| FIGURA | REFERENCIA | DENOMINACIÓN | CANTIDAD |
|--------|-------------|---------------------------------|----------|
| 001 | 65.12001.00 | 300AMG MODEL IND. | 2 |
| 002 | 01.12107.00 | ADH. PLATE IND. 6,5/96 PRESSURE | 2 |
| 003 | 65.12005.00 | ADH. PLATE IND. , CONTROL LEVER | 1 |
| 004 | 01.12106.00 | ADH. PLATE IND. 5/74, PRESSURE | 4 |
| 005 | 14.00775.01 | PLATE AD. INDI | 2 |
| 006 | 13.12136.02 | ADHESIVE, AUSA 720x147 | 2 |

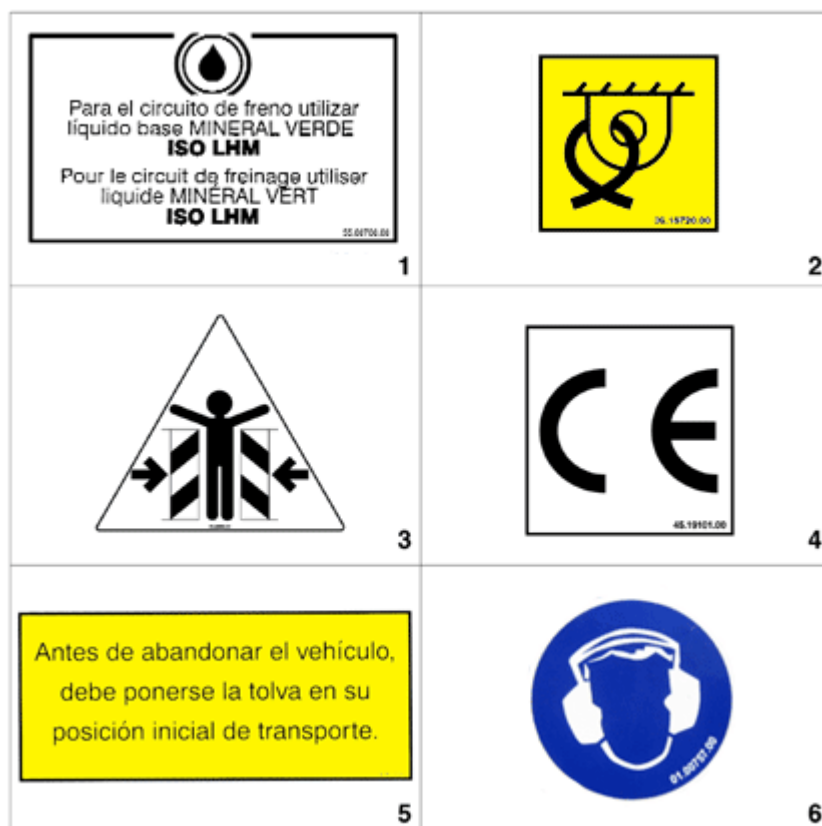
12. FINISHES STICKERS & PLATES (PART 2)



| FIGURA | REFERENCIA | DENOMINACIÓN | CANTIDAD |
|--------|-------------|----------------|----------|
| 001 | 43.01352.10 | PLATE AD. INDI | 1 |
| 002 | 43.01170.02 | PLATE AD. INDI | 1 |
| 003 | 02.00774.00 | PLATE AD. INDI | 1 |
| 004 | 43.01356.00 | PLATE AD. INDI | 1 |
| 005 | 09.00769.00 | PLATE AD. INDI | 1 |

12. FINISHES

STICKERS & PLATES (PART 3)



| FIGURA | REFERENCIA | DENOMINACIÓN | CANTIDAD |
|--------|-------------|----------------|----------|
| 001 | 55.00780.00 | PLATE AD. INDI | 1 |
| 002 | 09.15720.00 | PLATE AD. INDI | 2 |
| 003 | 60.22350.00 | PLATE AD. INDI | 2 |
| 004 | 45.19101.00 | PLATE AD. INDI | 2 |
| 005 | 02.00773.01 | PLATE AD. INDI | 1 |
| 006 | 01.00757.00 | PLATE AD. INDI | 1 |

12. FINISHES

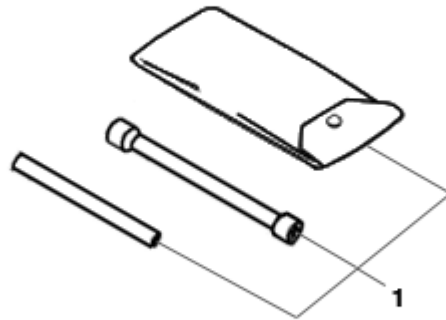
STICKERS & PLATES (PART 4)



| FIGURA | REFERENCIA | DENOMINACIÓN | CANTIDAD |
|--------|-------------|--------------------------------|----------|
| 001 | 00.00013.00 | ADHESIVE | 1 |
| 002 | 09.12011.00 | ADHESIVE | 2 |
| 003 | 02.00764.00 | PLATE AD. INDI | 2 |
| 004 | 02.00766.01 | ADH. PLATE IND. 40x80, SPANISH | 2 |

12. FINISHES

TOOLS BAG



| FIGURA | REFERENCIA | DENOMINACIÓN | CANTIDAD |
|--------|-------------|--------------|----------|
| 001 | 01.00036.02 | TOOLS-BAG | 1 |

INDEX

00. MAINTENANCE

Filters kit 2

02. ENGINE

Kubota Engine (Part 1) 3

Kubota Engine (Part 1) - 49071 4

Kubota Engine (Part 1) 5

Kubota Engine (Part 2) 6

EXHAUST PIPE 7

EXHAUST PIPE - 62950 8

Air filter comp. 9

Air filter comp. - 50365 10

Accelerator pedal 11

Fuel tank 12

Delivery 13

Radiator (Part 1) 14

Radiator (Part 2) 15

Radiator (Part 2) - 51738 16

Radiator (Part 3) 17

engine supports 18

engine supports - 59224 19

engine supports - 60817 20

Transmission (Front axle)

Front axle 21

Ring & pinion 22

Cab and Protectors 23

Differential 24

Planet carrier 25

Wheel hub 26

Transmission (Rear axle)

Rear axle 27

Ring & pinion 28

Cab and Protectors 29

Differential 30

Wheel

| | |
|---------------------------------|----|
| WHEELS | 31 |
| WHEELS - 47376 | 32 |
| Transmission (Rear axle) | |
| Planet carrier | 33 |
| Wheel hub | 34 |
| 03. TRANSMISSION | |
| Transfer box | 35 |
| Transfer box interior (Part 1) | 36 |
| Transfer box interior (Part 2) | 37 |
| TRANSMISSION | 39 |
| Clutch pedal | 41 |
| Clutch pedal - 51738 | 42 |
| Gearbox int. (Part 1) | 43 |
| INTERNAL TRANSMISSION (2) | 45 |
| Gearbox int. (Part 3) | 47 |
| UNIVERSAL JOINT | 49 |
| 04. CHASSIS | |
| Chassis (Part 1) | 50 |
| Chassis (Part 1) - 50150 | 51 |
| Chassis (Part 1) - 51118 | 52 |
| Chassis (Part 2) | 53 |
| Chassis (Part 2) - 48149 | 54 |
| Chassis axle | 55 |
| Chassis axle - 50150 | 57 |
| Chassis axle - 60284 | 59 |
| Chassis axle - 60554 | 61 |
| Chassis axle - 66624 | 63 |
| 05. BRAKE ACTIVATION | |
| FOOT BRAKE | 65 |
| Tubes | 67 |
| Handbrake (Part 1) | 68 |
| Handbrake (Part 1) - 57852 | 69 |
| Handbrake (Part 1) - 63087 | 70 |
| Handbrake (Part 1) - 63607 | 71 |
| Handbrake (Part 2) - 59061 | 72 |
| Handbrake (Part 2) - 63607 | 73 |

06. STEERING

| | |
|---------------------|----|
| Steering (Part 1) | 74 |
| Steering (Part 2) | 75 |
| Hydraulic cylinders | 76 |

08. BODYWORK

| | |
|--------------------|----|
| SHEETS (1) | 77 |
| SHEETS (1) - 63607 | 78 |
| SHEETS (2) | 79 |
| Cab | 81 |
| ROPS arch | 82 |
| Joystick lever | 83 |
| Counterweight | 84 |
| Seat | 85 |

09. MACHINE FUNCTIONS IMPLEMENTS

| | |
|------------------------------|----|
| System turn (PART 1) | 86 |
| System turn (PART 2) | 87 |
| System turn (PART 2) - 50150 | 89 |
| Elevation cylinder | 91 |
| Rotating cylinder | 92 |

10. HYDRAULIC INSTALLATION

| | |
|-------------------------|-----|
| Distributor | 93 |
| Distributor - 61892 | 94 |
| Hydraulic tank | 95 |
| Engine cover 1 | 97 |
| Service diagram | 98 |
| Service diagram - 52806 | 100 |

11. ELECTRIC INSTALLATION

| | |
|-------------------------|-----|
| Lighting Panel | 102 |
| Gearbox connection | 104 |
| Lights | 105 |
| Taillights | 106 |
| Rotating beacon | 107 |
| Rotating beacon - 60965 | 108 |
| Number plate lamp | 109 |
| Acoustic warning | 110 |
| Battery | 111 |

12. FINISHES

| | |
|------------------------------------|-----|
| STICKERS & PLATES (PART 1) | 112 |
| STICKERS & PLATES (PART 1) - 58923 | 113 |
| STICKERS & PLATES (PART 2) | 114 |
| STICKERS & PLATES (PART 3) | 115 |
| STICKERS & PLATES (PART 4) | 116 |
| Tools bag | 117 |